

IMPORTANT:
Read Before Using

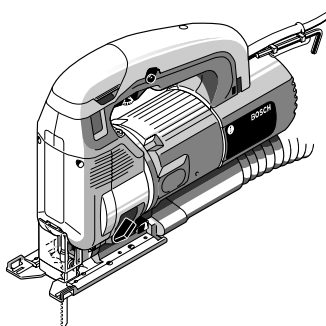
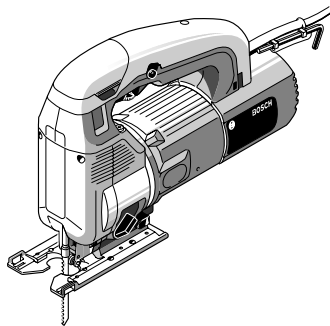
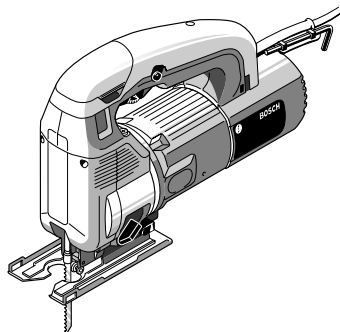
IMPORTANT :
Lire avant usage

IMPORTANTE:
Leer antes de usar



Operating/Safety Instructions
Consignes de fonctionnement/sécurité
Instrucciones de funcionamiento y seguridad

1587VS
1587AVS
1587DVS



BOSCH

Consumer Information
Renseignements des consommateurs
Información para el consumidor

Toll Free Number: 1-877-BOSCH99 (1-877-267-2499) **Appel gratuit :** **Número de teléfono gratuito:** <http://www.boschtools.com>

For English
See page 2

Parlez-vous français?
Voir page 12

¿Habla español?
Ver página 22

Power Tool Safety Rules

⚠ WARNING Read and understand all instructions. Failure to follow all instructions listed below, may result in electric shock, fire and/or serious personal injury.

SAVE THESE INSTRUCTIONS

Work Area

Keep your work area clean and well lit. Cluttered benches and dark areas invite accidents.

Do not operate power tools in explosive atmospheres, such as in the presence of flammable liquids, gases, or dust. Power tools create sparks which may ignite the dust or fumes.

Keep by-standers, children, and visitors away while operating a power tool. Distractions can cause you to lose control.

Electrical Safety

Double Insulated tools are equipped with a polarized plug (one blade is wider than the other.) This plug will fit in a polarized outlet only one way. If the plug does not fit fully in the outlet, reverse the plug. If it still does not fit, contact a qualified electrician to install a polarized outlet. Do not change the plug in any way. Double Insulation eliminates the need for the three wire grounded power cord and grounded power supply system. Before plugging in the tool, be certain the outlet voltage supplied is within the voltage marked on the nameplate. Do not use "AC only" rated tools with a DC power supply.

Avoid body contact with grounded surfaces such as pipes, radiators, ranges and refrigerators. There is an increased risk of electric shock if your body is grounded. If operating the power tool in damp locations is unavoidable, a Ground Fault Circuit Interrupter must be used to supply the power to your tool. Electrician's rubber gloves and footwear will further enhance your personal safety.

Don't expose power tools to rain or wet conditions. Water entering a power tool will increase the risk of electric shock.

Do not abuse the cord. Never use the cord to carry the tools or pull the plug from an outlet. Keep cord away from heat, oil, sharp edges or moving parts. Replace damaged cords immediately. Damaged cords increase the risk of electric shock.

When operating a power tool outside, use an outdoor extension cord marked "W-A"

or "W." These cords are rated for outdoor use and reduce the risk of electric shock. Refer to "Recommended sizes of Extension Cords" in the Accessory section of this manual.

Personal Safety

Stay alert, watch what you are doing and use common sense when operating a power tool. Do not use tool while tired or under the influence of drugs, alcohol, or medication. A moment of inattention while operating power tools may result in serious personal injury.

Dress properly. Do not wear loose clothing or jewelry. Contain long hair. Keep your hair, clothing, and gloves away from moving parts. Loose clothes, jewelry, or long hair can be caught in moving parts. Keep handles dry, clean and free from oil and grease.

Avoid accidental starting. Be sure switch is "OFF" before plugging in. Carrying tools with your finger on the switch or plugging in tools that have the switch "ON" invites accidents.

Remove adjusting keys or wrenches before turning the tool "ON". A wrench or a key that is left attached to a rotating part of the tool may result in personal injury.

Do not overreach. Keep proper footing and balance at all times. Proper footing and balance enables better control of the tool in unexpected situations.

Use safety equipment. Always wear eye protection. Dust mask, non-skid safety shoes, hard hat, or hearing protection must be used for appropriate conditions.

Tool Use and Care

Use clamps or other practical way to secure and support the workpiece to a stable platform. Holding the work by hand or against your body is unstable and may lead to loss of control.

Do not force tool. Use the correct tool for your application. The correct tool will do the job better and safer at the rate for which it is designed.

Do not use tool if switch does not turn it "ON" or "OFF". Any tool that cannot be controlled with the switch is dangerous and must be repaired.

Disconnect the plug from the power source before making any adjustments, changing accessories, or storing the tool. Such preventive safety measures reduce the risk of starting the tool accidentally.

Store idle tools out of reach of children and other untrained persons. Tools are dangerous in the hands of untrained users.

Maintain tools with care. Keep cutting tools sharp and clean. Properly maintained tools, with sharp cutting edges are less likely to bind and are easier to control. Any alteration or modification is a misuse and may result in a dangerous condition.

Check for misalignment or binding of moving parts, breakage of parts, and any other condition that may affect the tools operation. If damaged, have the tool serviced before using. Many accidents are caused by poorly maintained tools. Develop

a periodic maintenance schedule for your tool.

Use only accessories that are recommended by the manufacturer for your model. Accessories that may be suitable for one tool, may become hazardous when used on another tool.

Service

Tool service must be performed only by qualified repair personnel. Service or maintenance performed by unqualified personnel could result in a risk of injury. For example: internal wires may be misplaced or pinched, safety guard return springs may be improperly mounted.

When servicing a tool, use only identical replacement parts. Follow instructions in the Maintenance section of this manual. Use of unauthorized parts or failure to follow Maintenance Instructions may create a risk of electric shock or injury. Certain cleaning agents such as gasoline, carbon tetrachloride, ammonia, etc. may damage plastic parts.

Safety Rules for Jigsaws

Hold tool by insulated gripping surfaces when performing an operation where the cutting tool may contact hidden wiring or its own cord. Contact with a "live" wire will make exposed metal parts of the tool "live" and shock the operator. Do not drill, fasten or break into existing walls or other blind areas where electrical wiring may exist. If this situation is unavoidable, disconnect all fuses or circuit breakers feeding this worksite.

Never leave the trigger locked "ON". Before plugging the tool in, check that the trigger lock is "OFF". Accidental start-ups could cause injury.

Be aware of the location and setting of the switch "Lock-ON" button. If the switch is locked "ON" during the use, be ready for emergency situations to switch it "OFF", by first pulling the trigger then immediately releasing it without pressing the "Lock-ON" button.

Keep hands away from cutting area. Do not reach under the material being cut. The proximity of the blade to your hand is hidden from your sight.

Keep hands from between the gear housing and saw blade holder. The reciprocating blade holder can pinch your fingers.

Do not use dull or damaged blades. Bent blade can break easily or cause kickback.

Before starting to cut, turn tool "ON" and allow the blade to come to full speed. Tool can chatter or vibrate if blade speed is too slow at beginning of cut and possibly kickback.

Always wear safety goggles or eye protection when using this tool. Use a dust mask or respirator for applications which generate dust.

Secure material before cutting. Never hold it in your hand or across legs. Small

or thin material may flex or vibrate with the blade, causing loss of control.

Make certain all adjusting screws and the blade holder are tight before making a cut. Loose adjusting screws and holders can cause the tool or blade to slip and loss of control may result.

When removing the blade from the tool avoid contact with skin and use proper protective gloves when grasping the blade or accessory. Accessories may be hot after prolonged use.

If your tool is equipped with a dust bag, empty it frequently and after completion of sawing. Spontaneous combustion, may in time, result from mixture of oil or water with dust particles. Be extremely careful of dust disposal, materials in fine particle form may be explosive. Do not throw contents on an open fire.



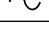
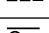
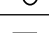




⚠ WARNING Some dust created by power sanding, sawing, grinding, drilling, and other construction activities contains chemicals known to cause cancer, birth defects or other reproductive harm. Some examples of these chemicals are:


- Lead from lead-based paints,
- Crystalline silica from bricks and cement and other masonry products, and
- Arsenic and chromium from chemically-treated lumber.


Your risk from these exposures varies, depending on how often you do this type of work. To reduce your exposure to these chemicals: work in a well ventilated area, and work with approved safety equipment, such as those dust masks that are specially designed to filter out microscopic particles.

Symbols

IMPORTANT: Some of the following symbols may be used on your tool. Please study them and learn their meaning. Proper interpretation of these symbols will allow you to operate the tool better and safer.


Symbol	Name	Designation/Explanation
V	Volts	Voltage (potential)
A	Amperes	Current
Hz	Hertz	Frequency (cycles per second)
W	Watt	Power
kg	Kilograms	Weight
min	Minutes	Time
s	Seconds	Time
∅	Diameter	Size of drill bits, grinding wheels, etc.
n_0	No load speed	Rotational speed, at no load
.../min	Revolutions or reciprocation per minute	Revolutions, strokes, surface speed, orbits etc. per minute
0	Off position	Zero speed, zero torque...
1, 2, 3, ... I, II, III,	Selector settings	Speed, torque or position settings. Higher number means greater speed
0 	Infinitely variable selector with off	Speed is increasing from 0 setting
	Arrow	Action in the direction of arrow
	Alternating current	Type or a characteristic of current
	Direct current	Type or a characteristic of current
	Alternating or direct current	Type or a characteristic of current
	Class II construction	Designates Double Insulated Construction tools.
	Earthing terminal	Grounding terminal
	Warning symbol	Alerts user to warning messages
	Ni-Cad RBRC seal	Designates Ni-Cad battery recycling program


 This symbol designates that this tool is listed by Underwriters Laboratories.

 This symbol designates that this tool is listed to Canadian Standards by Underwriters Laboratories.



This symbol designates that this tool complies to NOM Mexican Standards.

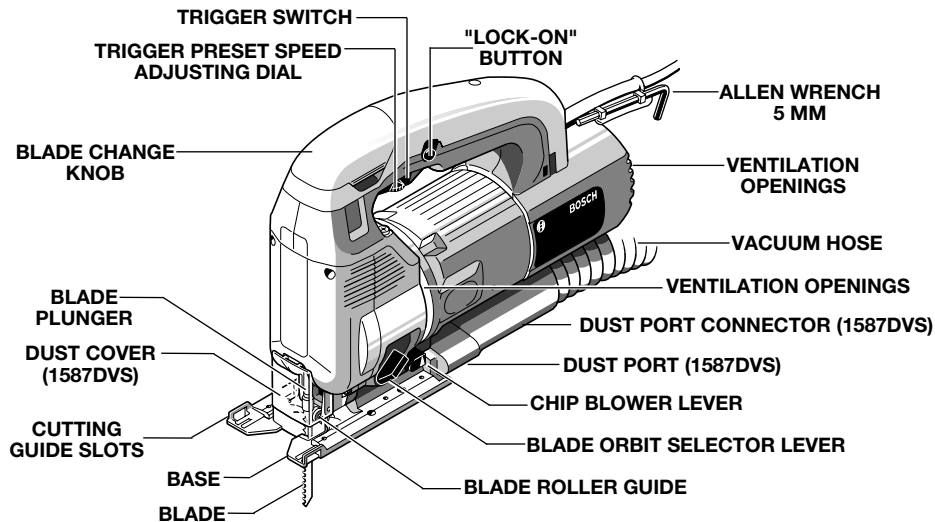
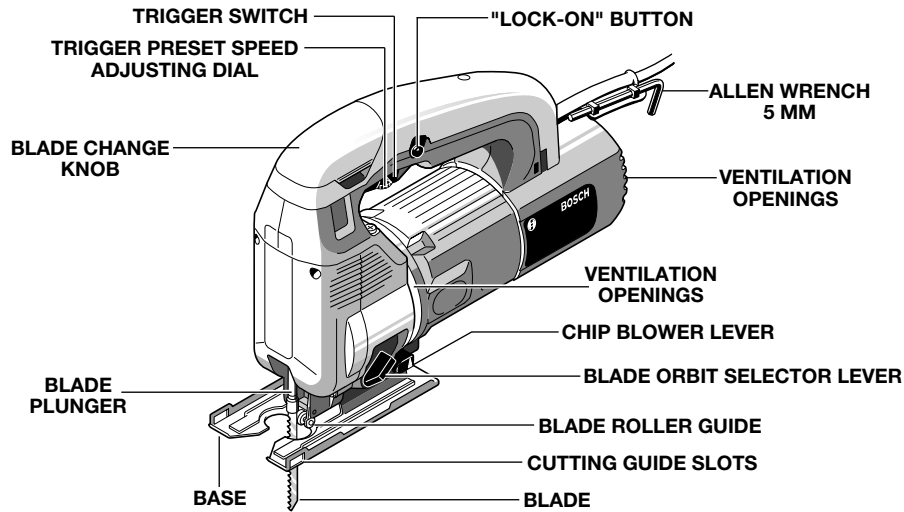
 This symbol designates that this tool is listed by the Canadian Standards Association.

 This symbol designates that this tool is listed by Underwriters Laboratories, and listed to Canadian Standards by Underwriters Laboratories.

Functional Description and Specifications

⚠ WARNING Disconnect the plug from the power source before making any assembly, adjustments or changing accessories. Such preventive safety measures reduce the risk of starting the tool accidentally.

Jigsaws



Maximum capacities:

Material	Size	Material	Size
Wood	2-3/8" (60mm)	Mild steel	3/8" (10mm)
Plastic	1-1/4" (32mm)	Stainless steel	1/8" (3mm)
Aluminum	3/4" (20mm)	Alloy steel	1/8" (3mm)
Non-ferrous metal	3/4" (20mm)		

Assembly

BLADE INSTALLATION

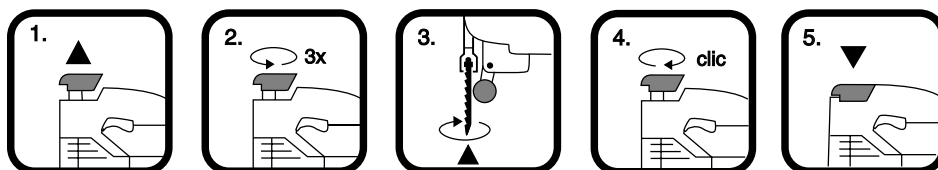
Set the blade orbit selector lever to position III. Pull blade change knob upward as far as it will go and turn it three turns counter-clockwise (viewed from the top of the tool).

Insert the blade into blade plunger at a 90° angle to the cutting direction. With a slight upward pressure, turn the blade teeth forward (direction of cut) and guide the back of the blade into the groove in the center of blade roller guide. Pull gently down on the blade to seat the blade tabs in the plunger.

With the blade in the proper position, turn

knob clockwise until a noticable "Clic" noise is heard, indicating that the blade is locked in place. Depress knob to disengage and continue to turn knob until it is aligned with the curvature of the handle, and can be pressed back into its normal position. Press down on knob until it is flush with the handle, and the jigsaw is ready for use.

Removing the blade is essentially the reverse of the installation procedure, however, take note that once the blade change knob is loosened, gently push the blade upward to release the blade tabs from the plunger.



Operating Instructions

VARIABLE SPEED CONTROLLED TRIGGER SWITCH

Your tool is equipped with a variable speed trigger switch. The tool can be turned "ON" or "OFF" by squeezing or releasing the trigger. The speed can be adjusted from the minimum to maximum nameplate RPM by the pressure you apply to the trigger. Apply more pressure to increase the speed and release pressure to decrease speed.

"LOCK-ON" BUTTON

The "Lock-ON" button, located in the handle of your tool allows for continuous operation at maximum RPM without holding the trigger.

TO LOCK TRIGGER "ON": squeeze trigger, depress button and release trigger.

TO UNLOCK THE TRIGGER: squeeze trigger and release it without depressing the "Lock-ON" button.

WARNING If the "Lock-ON" button is continuously being depressed, the trigger can not be released.

TRIGGER PRESET SPEED ADJUSTING DIAL

This feature enables you to preset the trigger at desired speeds by rotating the dial on the trigger to a higher or lower setting. Regardless of the the pressure applied on trigger, the tool will not operate any faster that the maximum speed setting selected.

Setting

A-B	Low stroke
C-D	Medium stroke
E	High stroke

PLUNGER SPEED

The jigsaw cutting speed or stroke rate required depends on the material being cut, the type of blade used, and the feed rate preferred by the operator. The best speed for a particular application is largely determined by experience, though as a general rule, slower speeds are for denser materials and faster speeds for soft materials. Note that when the jigsaw is used at low speed settings for any length of time, the motor temperature will rise due to the slower speed of the internal cooling fan. In such cases, it is necessary to occasionally run the tool at full speed for a few minutes to keep the motor operating at high efficiency.

BLADE ORBIT

Maximum cutting efficiency can be obtained by adjusting the blade orbit selector lever to suit the material being cut. The following chart will help you determine which setting to use for your application. This chart is intended as a guideline only, and test cuts in scrap material should be performed first to determine the best setting.

Setting O hard materials such as metals or

thin sheet metals and used with knife blades, grit edge blades or rasp work.

Setting I soft materials where cleaner cutting or delicate scrolling work is performed.

Setting II medium density materials such as harder woods or particle board.

Setting III soft materials such as wood, plastics, etc.

The following types of blades should only be used with orbital Setting O:

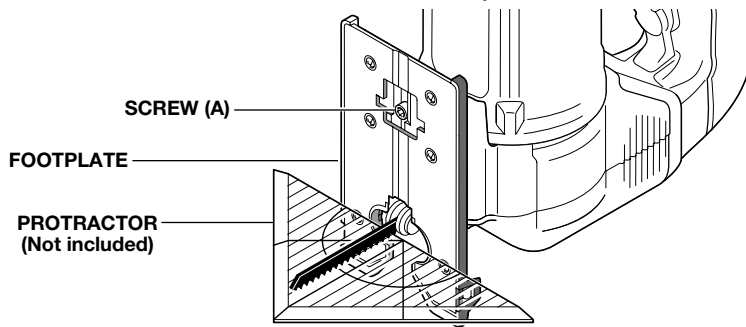
1. Blades with teeth that point downward (reverse-tooth blades).
2. Blades with teeth that point straight out rather than up or down.
3. Carbide-tipped blades.
4. Grit-edge blades.

FOOTPLATE ANGLE ADJUSTMENT

The footplate may be tilted to allow angle cuts up to 45° in either direction. To adjust footplate, loosen screw (A) with allen wrench, slide the footplate towards the front of the tool, and rotate to the desired angle, as marked on the angle scale. Detent slots will hold the footplate firmly at 0°, and there are additional position marks for 15° and 45° angles.

Intermediate angles may be set with a protractor. After positioning the footplate, securely tighten screw (A).

On model 1587DVS, screw (A) is covered by sliding cover, which should be closed after making the footplate adjustment. Note that when the footplate is used on an angle, dust cover must be removed, and chip collection efficiency will be reduced.

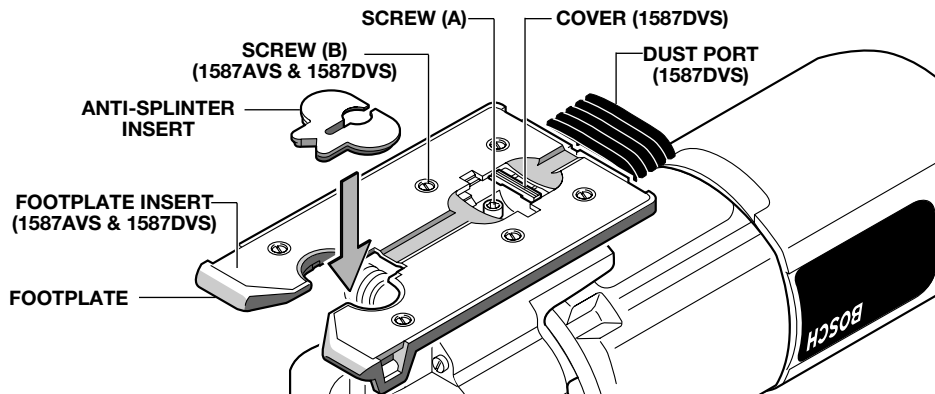


FOOTPLATE INSERTS (1587AVS & 1587DVS)

Model 1587AVS & 1587DVS will accept two footplate inserts which may be changed by removing the six screws (B). The steel insert is used for most general cutting operations, and the smooth plastic insert may be used to minimize scratches on fine surfaces.

ANTI-SPLINTER INSERT

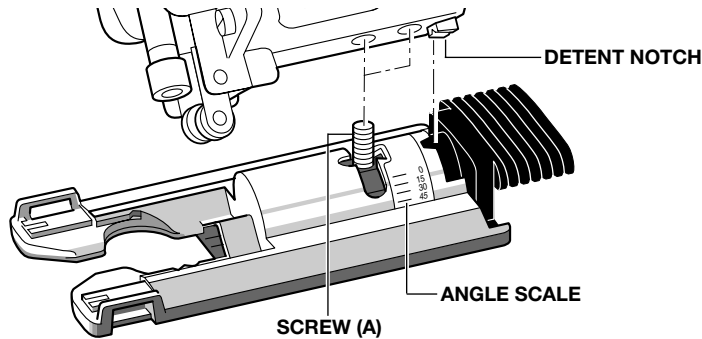
To minimize splintering of the top surface of the material being cut, place the anti-splinter insert in the blade opening of the footplate. Note: This insert will only work with blades that have ground sides such as T301CD, T101B, T101D, and T101DP.



FLUSH CUTTING




To allow the saw to make a perpendicular cut close to a vertical surface, the footplate may be repositioned as follows. Remove screw (A), move footplate to the front mounting slot, and be sure the detent notch is aligned with the

detent slot in the footplate. Re-insert screw (A) into the threaded hole closest to the detent notch, and securely tighten. Note that when the footplate is retracted in this manner, only 90° cuts are possible, and dust cover or optional cutting guide may not be used.



CHIP BLOWER

The jigsaw is equipped with a three-position chip blower to help keep the cutting line clear of chips. By adjusting the chip blower lever, the force of the discharged air may be altered as follows;

-  Strongest blowing action for working in woods and similar materials.
-  Medium blowing action.
-  No blowing action

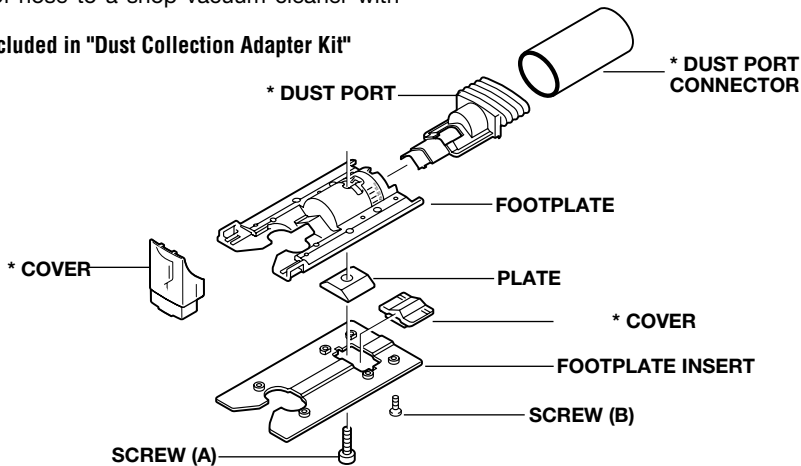
DUST EXTRACTION (1587AVS & 1587DVS)

Model 1587DVS is equipped with a dust port for chip extraction. To use this feature, attach vacuum hose (optional accessory) to the dust port connector, then attach the dust port connector to the dust port. Connect the other end of hose to a shop vacuum cleaner with

adapter (optional accessories). For maximum efficiency, dust cover must be in place.

Model 1587AVS can be converted to dustless by adding the "Dust Collection Adapter Kit" which is available from Bosch Service Centers or Distributors.

* Included in "Dust Collection Adapter Kit"



Tool Tips

Always be certain that smaller workpieces are securely fastened to a bench or other support. Larger panels may be held in place by clamps on a bench or sawhorses.

To begin a cut, clearly mark the cutting line, and rest the front of the footplate on the work. Engage the switch, and move the blade into the work using only enough forward pressure to keep the blade cutting steadily. DO NOT FORCE, as this will not make the saw cut faster; let the blade do the work.

When cutting metal, it is often advisable to use a lubricant to cool the blade and extend its life.

Choose blades carefully, as the ability of the jigsaw to follow curves, provides smoother finishes, or faster cutting is directly related to the type of blade used.

BLADE SELECTION

- Choose blades carefully, as the ability of the jigsaw to make the fastest cuts, to follow tight curves, to achieve the smoothest finish and/or to maximize the life of the blade are directly related to the type of blade used.
 - Always use a blade that is appropriate for the cutting task.
 - Always make a test cut in a piece of scrap material.
- Most jigsaw blades have upward-pointing teeth, which helps to pull the jigsaw against the workpiece and minimizes vibration. Blades with upward-pointing teeth produce a clean cut on the bottom of the workpiece.
 - Blades with downward-pointing teeth (reverse-tooth blade) can be used to produce a clean cut on the top of the workpiece (that side that faces the jigsaw's footplate), such as when cutting an already-installed countertop from the top. When using reverse-tooth blades, downward force must be applied to the jigsaw.
 - Blades with teeth that point straight out (rather than up or down) allow splinter-free cutting on both sides of the workpiece. When using such blades, downward force must be applied to the jigsaw.
 - The following types of blades should only be used with orbital Setting O:
 1. Blades with teeth that point downward (reverse-tooth blades).
 2. Blades with teeth that point straight out rather than up or down.
 3. Carbide-tipped blades.
 4. Grit-edge blades.

Maintenance

Service

⚠ WARNING Preventive maintenance performed by unauthorized personnel may result in misplacing of internal wires and components which could cause serious hazard. We recommend that all tool service be performed by a Bosch Factory Service Center or Authorized Bosch Service Station.

TOOL LUBRICATION

Your Bosch tool has been properly lubricated and is ready to use. It is recommended that tools with gears be regreased with a special gear lubricant at every brush change.

CARBON BRUSHES

The brushes and commutator in your tool have been engineered for many hours of dependable service. To maintain peak efficiency of the motor, we recommend every two to six months the brushes be examined. Only genuine Bosch replacement brushes specially designed for your tool should be used.

BEARINGS

After about 300-400 hours of operation, or at every second brush change, the bearings should be replaced at Bosch Factory Service Center or Authorized Bosch Service Station. Bearings which become noisy (due to heavy

load or very abrasive material cutting) should be replaced at once to avoid overheating or motor failure.

Ventilation openings and switch levers must be kept clean and free of foreign matter. Do not attempt to clean by inserting pointed objects through openings.

Cleaning

⚠ WARNING To avoid accidents always disconnect the tool from the power supply before cleaning or performing any maintenance. The tool may be cleaned most effectively with compressed dry air. Always wear safety goggles when cleaning tools with compressed air.

⚠ CAUTION Certain cleaning agents and solvents damage plastic parts. Some of these are: gasoline, carbon tetrachloride, chlorinated cleaning solvents, ammonia and household detergents that contain ammonia.

Accessories

⚠ WARNING If an extension cord is necessary, a cord with adequate size conductors that is capable of carrying the current necessary for your tool must be used. This will prevent excessive voltage drop, loss of power or overheating. Grounded tools must use 3-wire extension cords that have 3-prong plugs and receptacles.

NOTE: The smaller the gauge number, the heavier the cord.

**RECOMMENDED SIZES OF EXTENSION CORDS
120 VOLT ALTERNATING CURRENT TOOLS**

Tool's Ampere Rating	Cord Size in A.W.G.				Wire Sizes in mm ²			
	Cord Length in Feet				Cord Length in Meters			
	25	50	100	150	15	30	60	120
3-6	18	16	16	14	0.75	0.75	1.5	2.5
6-8	18	16	14	12	0.75	1.0	2.5	4.0
8-10	18	16	14	12	0.75	1.0	2.5	4.0
10-12	16	16	14	12	1.0	2.5	4.0	—
12-16	14	12	—	—	—	—	—	—

- ** Vacuum hose
- ** Hose/vacuum adaptor
- ** Anti-splinter insert (5pcs.)
- ** Cutting guide
- * Allen wrench 5mm
- * Steel footplate insert (1587AVS & 1587DVS)
- * Plastic footplate insert (1587AVSK & 1587DVS)
- * Carrying case (1587AVSK)

(* = standard equipment)

(** = optional accessories)

Règles de Sécurité Générales

▲ AVERTISSEMENT

Vous devez lire et comprendre toutes les instructions. Le non-respect, même partiel, des instructions ci-après entraîne un risque de choc électrique, d'incendie et/ou de blessures graves.

CONSERVEZ CES INSTRUCTIONS


Aire de travail

Veillez à ce que l'aire de travail soit propre et bien éclairée. Le désordre et le manque de lumière favorisent les accidents.

N'utilisez pas d'outils électriques dans une atmosphère explosive, par exemple en présence de liquides, de gaz ou de poussières inflammables. Les outils électriques créent des étincelles qui pourraient enflammer les poussières ou les vapeurs.

Tenez à distance les curieux, les enfants et les visiteurs pendant que vous travaillez avec un outil électrique. Ils pourraient vous distraire et vous faire faire une fausse manoeuvre.

Sécurité électrique

Les outils à double isolation sont équipés d'une fiche polarisée (une des lames est plus large que l'autre), qui ne peut se brancher que d'une seule façon dans une prise polarisée. Si la fiche n'entre pas parfaitement dans la prise, inversez sa position ; si elle n'entre toujours pas bien, demandez à un électricien qualifié d'installer une prise de courant polarisée. Ne modifiez pas la fiche de l'outil. La double isolation  élimine le besoin d'un cordon d'alimentation à trois fils avec mise à la terre ainsi que d'une prise de courant mise à la terre. *Avant de brancher l'outil, assurez-vous que la tension de la prise correspond, à celle indiquée sur la plaque signalétique. N'utilisez pas d'outils prévus pour courant alternatif seulement avec une source de courant continu.*

Évitez tout contact corporel avec des surfaces mises à la terre (tuyauterie, radiateurs, cuisinières, réfrigérateurs, etc.). Le risque de choc électrique est plus grand si votre corps est en contact avec la terre. *Si l'utilisation de l'outil électrique dans un endroit humide est inévitable, un disjoncteur de fuite à la terre doit être utilisé pour alimenter votre outil. Des chaussures et des gants en caoutchouc d'électricien contribueront à accroître davantage votre sécurité personnelle.*

N'exposez pas les outils électriques à la pluie ou à l'eau. La présence d'eau dans un outil électrique augmente le risque de choc électrique.

Ne maltraitez pas le cordon. Ne transportez pas l'outil par son cordon et ne débranchez pas la fiche en tirant sur le cordon. N'exposez pas le cordon à la chaleur, à des huiles, à des arêtes vives ou à des pièces en mouvement. Remplacez immédiatement un cordon endommagé. Un cordon endommagé augmente le risque de choc électrique.

Lorsque vous utilisez un outil électrique à l'extérieur, employez un prolongateur pour l'extérieur marqué « W-A » ou « W ». Ces cordons sont faits pour être utilisés à l'extérieur et réduisent le risque de choc électrique. Reportez-vous aux « Dimensions recommandées des cordons de rallonge » dans la section Accessoires de ce manuel.

Sécurité des personnes

Restez alerte, concentrez-vous sur votre travail et faites preuve de jugement. N'utilisez pas un outil électrique si vous êtes fatigué ou sous l'influence de drogues, d'alcool ou de médicaments. Un instant d'inattention suffit pour entraîner des blessures graves.

Habillez-vous convenablement. Ne portez ni vêtements flottants ni bijoux. Confinez les cheveux longs. N'approchez jamais les cheveux, les vêtements ou les gants des pièces en mouvement. Des vêtements flottants, des bijoux ou des cheveux longs risquent d'être happés par des pièces en mouvement. Gardez les poignées sèches, propres et exemptes d'huile et de graisse.

Méfiez-vous d'un démarrage accidentel. Avant de brancher l'outil, assurez-vous que son interrupteur est sur ARRÊT. Le fait de transporter un outil avec le doigt sur la détente ou de brancher un outil dont l'interrupteur est en position MARCHE peut mener tout droit à un accident.

Enlevez les clés de réglage ou de serrage avant de démarrer l'outil. Une clé laissée dans une pièce tournante de l'outil peut provoquer des blessures.

Ne vous penchez pas trop en avant. Maintenez un bon appui et restez en équilibre en tout temps. Une bonne stabilité vous permet de mieux réagir à une situation inattendue.

Utilisez des accessoires de sécurité. Portez toujours des lunettes ou une visière. Selon les conditions, portez aussi un masque antipoussière, des bottes de sécurité antidérapantes, un casque protecteur et/ou un appareil antibruit.

Utilisation et entretien des outils

Immobilisez le matériau sur une surface stable au moyen de brides ou de toute autre façon adéquate. Le fait de tenir la pièce avec la main ou contre votre corps offre une stabilité insuffisante et peut amener un dérapage de l'outil.

Ne forcez pas l'outil. Utilisez l'outil approprié à la tâche. L'outil correct fonctionne mieux et de façon plus

sécuritaire. Respectez aussi la vitesse de travail qui lui est propre.

N'utilisez pas un outil si son interrupteur est bloqué. Un outil que vous ne pouvez pas commander par son interrupteur est dangereux et doit être réparé.

Débranchez la fiche de l'outil avant d'effectuer un réglage, de changer d'accessoire ou de ranger l'outil. De telles mesures préventives de sécurité réduisent le risque de démarrage accidentel de l'outil.

Rangez les outils hors de la portée des enfants et d'autres personnes inexpérimentées. Les outils sont dangereux dans les mains d'utilisateurs novices.

Prenez soin de bien entretenir les outils. Les outils de coupe doivent être toujours bien affûtés et propres. Des outils bien entretenus, dont les arêtes sont bien tranchantes, sont moins susceptibles de coincer et plus faciles à diriger. Toute altération ou modification constitue un usage erroné et peut causer un danger.

Soyez attentif à tout désalignement ou coincement des pièces en mouvement, à tout bris ou à toute autre condition préjudiciable au bon fonctionnement de l'outil. Si vous constatez qu'un outil est endommagé, faites-le réparer avant de vous en servir. De

nombreux accidents sont causés par des outils en mauvais état. Élaborez un calendrier d'entretien périodique de votre outil.

N'utilisez que des accessoires que le fabricant recommande pour votre modèle d'outil. Certains accessoires peuvent convenir à un outil, mais être dangereux avec un autre.

Réparation

La réparation des outils électriques doit être confiée à un réparateur qualifié. L'entretien ou la réparation d'un outil électrique par un amateur peut avoir des conséquences graves. Ainsi, des fils internes peuvent être mal placés ou pincés, des ressorts de rappel de protecteur peuvent être montés erronément.

Pour la réparation d'un outil, n'employez que des pièces de rechange d'origine. Suivez les directives données à la section « Réparation » de ce manuel. L'emploi de pièces non autorisées ou le non-respect des instructions d'entretien peut créer un risque de choc électrique ou de blessures. Certains agents nettoyants tels qu'essence, tétrachlorure de carbone, ammoniac, etc., peuvent abîmer les pièces en plastique.

Règles de sécurité concernant les scies sauteuses

Tenez l'outil par les surfaces isolées de préhension en exécutant une opération au cours de laquelle l'outil de coupe peut venir en contact avec les fils cachés ou son propre cordon. Le contact avec un fil sous tension rendra les pièces métalliques exposées de l'outil sous tension et causera des chocs à l'opérateur. *Ne percez, fixez et ne rentrez pas dans des murs existants ou autres endroits aveugles pouvant abriter des fils électriques. Si cette situation est inévitable, débranchez tous les fusibles ou les disjoncteurs alimentant ce site.*

Ne tenez jamais la gâchette bloquée en position de marche. Avant de brancher l'outil, assurez-vous que le blocage de la gâchette est inhibé. Les mises en marche accidentelles peuvent causer des blessures.

Soyez au courant de l'emplacement et de la position du bouton de blocage en marche de la gâchette. Si l'interrupteur est bloqué en marche durant l'usage, soyez prêt, dans des cas d'urgence, à le mettre à l'arrêt en appuyant d'abord sur la gâchette, puis en la relâchant immédiatement sans appuyer sur le bouton de blocage en marche.

Gardez les mains à l'écart de la zone de coupe. Ne placez surtout pas la main sous le matériau que

vous coupez. Il est impossible de déterminer exactement la proximité de la lame de votre main.

Évitez de vous placer les mains entre le carter d'engrenages et le porte-lame de la scie. Le porte-lame à mouvement alternatif risquerait de vous pincer les doigts.

N'utilisez pas de lames émoussées ou endommagées. Les lames pliées peuvent aisément se fracturer ou causer un rebond.

Avant de commencer à couper, mettez l'outil en marche et attendez que la lame atteigne sa vitesse maximale. L'outil peut trembler ou vibrer si la vitesse de la lame est trop lente au début de la coupe, et il peut éventuellement rebondir.

Portez toujours des lunettes à coques latérales ou des lunettes de protection en utilisant cet outil. Utilisez un respirateur ou un masque anti-poussières pour les applications produisant de la poussière.

Il importe de bien assujettir la pièce sur laquelle vous travaillez. Ne la tenez jamais dans votre main ou sur vos jambes. Les pièces minces et plus petites peuvent fléchir ou vibrer avec la lame, risquant ainsi de vous faire perdre le contrôle.

Avant de commencer à scier, assurez-vous que toutes les vis de réglage et que le porte-lame sont serrés. Les vis de réglage et porte-lame lâches peuvent faire glisser l'outil ou la lame et ainsi vous faire perdre le contrôle.

En retirant la lame de l'outil, évitez le contact avec la peau et utilisez des gants protecteurs appropriés en saisissant la lame ou l'accessoire. Les accessoires peuvent être chauds après un usage prolongé.

Si votre outil est muni d'un sac à poussière, videz-le fréquemment et après chaque opération de sciage. Une autocombustion peut se déclencher en réaction au mélange de l'huile ou de l'eau et des particules de poussière. La mise au rebut des poussières doit être extrêmement bien supervisée, les matériaux sous forme de particules fines pouvant être explosifs. Ne pas mettre le contenu en contact direct avec le feu.

⚠ AVERTISSEMENT Les travaux à la machine tel que ponçage, sciage, meulage, perçage et autres travaux du bâtiment peuvent créer des poussières contenant des produits chimiques qui sont des causes reconnues de cancer, de malformation congénitale ou d'autres problèmes reproductifs. Ces produits chimiques sont, par exemple :

- Le plomb provenant des peintures à base de plomb,
- Les cristaux de silices provenant des briques et du ciment et d'autres produits de maçonnerie, et
- L'arsenic et le chrome provenant des bois traités chimiquement.

Le niveau de risque dû à cette exposition varie avec la fréquence de ces types de travaux. Pour réduire l'exposition à ces produits chimiques, il faut travailler dans un lieu bien ventilé et porter un équipement de sécurité approprié tel que certains masques à poussière conçus spécialement pour filtrer les particules microscopiques.

Symboles

IMPORTANT : Certains des symboles suivants peuvent être utilisés sur votre outil. Veuillez les étudier et apprendre leur signification. Une interprétation appropriée de ces symboles vous permettra d'utiliser l'outil de façon plus efficace et plus sûre.

Symbole	Nom	Désignation/Explication
V	Volts	Tension (potentielle)
A	Ampères	Courant
Hz	Hertz	Fréquence (cycles par seconde)
W	Watt	Puissance
kg	Kilogrammes	Poids
min	Minutes	Temps
s	Secondes	Temps
∅	Diamètre	Taille des mèches de perceuse, meules, etc.
n_0	Vitesse à vide	Vitesse de rotation, à vide
.../min	Tours ou mouvement alternatif par minute	Tours, coups, vitesse en surface, orbites, etc., par minute
0	Position d'arrêt	Vitesse zéro, couple zéro ...
1, 2, 3, ... I, II, III, ...	Réglages du sélecteur	Réglages de vitesse, de couple ou de position. Un nombre plus élevé signifie une vitesse plus grande.
	Sélecteur variable à l'infini avec arrêt	La vitesse augmente depuis le réglage 0
	Flèche	Action dans la direction de la flèche
	Courant alternatif	Type ou caractéristique du courant
	Courant continu	Type ou caractéristique du courant
	Courant alternatif ou continu	Type ou caractéristique du courant
	Construction classe II isolation	Désigne des outils construits avec double
	Borne de terre	Borne de mise à la terre
	Symbole d'avertissement	Alerte l'utilisateur aux messages d'avertissement.
	Sceau Ni-Cad RBRC™	Désigne le programme de recyclage des piles Ni-Cad.



Ce symbole signifie que cet outil est approuvé par Underwriters Laboratories.



Ce symbole signifie que cet outil est approuvé conformément aux normes canadiennes par Underwriters Laboratories.



Ce symbole signifie que cet outil se conforme aux normes mexicaines NOM.



Ce symbole signifie que cet outil est approuvé par l'Association canadienne de normalisation.

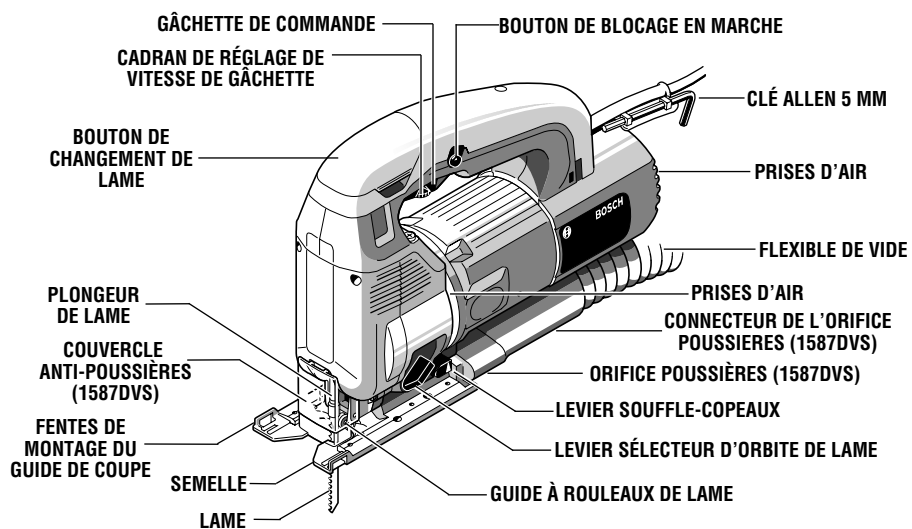
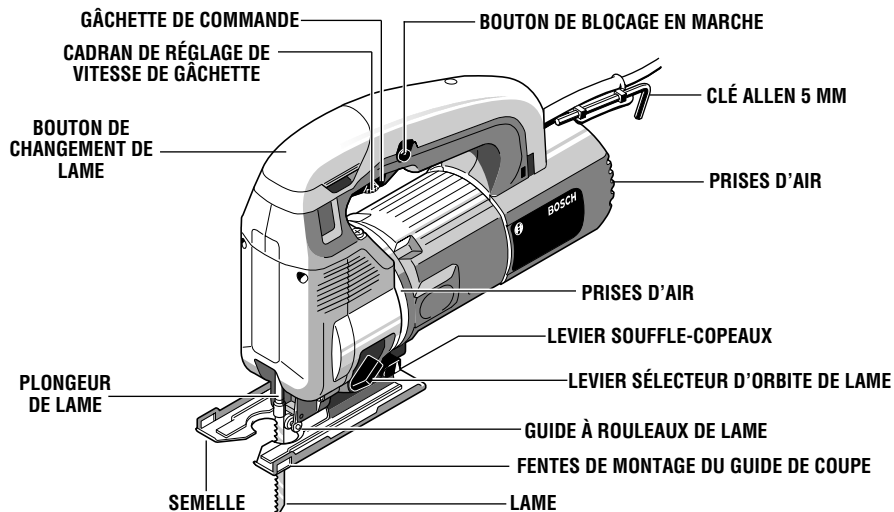


Ce symbole signifie que cet outil est approuvé par Underwriters Laboratories et qu'il a été homologué selon les normes canadiennes par Underwriters Laboratories.

Description fonctionnelle et spécifications

AVERTISSEMENT Débranchez la fiche de la prise de courant avant d'effectuer quelque assemblage ou réglage que ce soit ou de changer les accessoires. Ces mesures de sécurité préventive réduisent le risque d'une mise en marche accidentelle de l'outil.

Scies sauteuses



Capacités maximales :

Matériau
Bois
Plastique
Aluminium
Métal non ferreux

Dimensions
60 mm (2 3/8 po)
32 mm (1 1/4 po)
20 mm (3/4 po)
20 mm (3/4 po)

Matériau
Acier doux
Acier inoxydable
Acier allié

Dimensions
10 mm (3/8 po)
3 mm (1/8 po)
3 mm (1/8 po)

Assemblage

POSE DE LA LAME

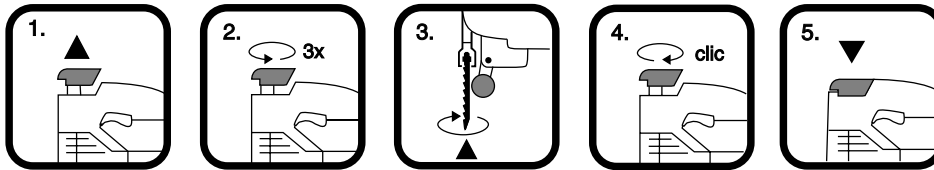
Placez le levier sélecteur d'orbite de lame à la position III.

Tirez le bouton de changement de lame vers le haut aussi loin que possible et tournez-le de trois tours en sens anti-horaire (en regardant depuis le dessus de l'outil).

Insérez la lame dans le plongeur de lame à un angle de 90° par rapport à la direction de coupe. En exerçant une légère pression vers le haut, tournez les dents de la lame vers l'avant (direction de la coupe) et guidez l'arrière de la lame dans la rainure au centre du guide à rouleaux de lame. Tirez délicatement la lame vers le bas de manière à caler les languettes dans le plongeur. La lame étant en bonne position, tournez le bouton en

sens horaire jusqu'à ce qu'un clic se fasse clairement entendre, ce qui indique que la lame est bloquée en place. Appuyez sur le bouton pour libérer et continuez à tourner le bouton jusqu'à ce qu'il soit aligné sur la courbure de la poignée et puisse être enfoncé à nouveau dans sa position normale. Enfoncez le bouton jusqu'à ce qu'il soit de niveau avec la poignée et que la scie à découper soit prête à usage.

Pour déposer la lame, il suffit essentiellement d'inverser la procédure de pose ; cependant, il convient de noter qu'une fois le bouton de changement de lame desserrée, il faut pousser délicatement la lame vers le haut pour relâcher les languettes de la lame du plongeur.



Consignes de fonctionnement

GÂCHETTE DE COMMANDE À VITESSE VARIABLE

Votre outil est équipé d'une gâchette de commande à vitesse variable. Vous pouvez mettre le outil en marche ou au repos en appuyant ou en relâchant la gâchette respectivement. Dépendant de la pression exercée sur la gâchette, il est possible de régler la vitesse dans les limites minimale et maximale spécifiées sur la plaquette emblématique. Exercez plus de pression pour augmenter la vitesse et moins pour la diminuer.

BOUTON DE BLOCAGE EN MARCHÉ

La outil est également pourvue d'un bouton de blocage en marche situé du côté gauche de la poignée de la gâchette qui permet le fonctionnement au régime maximum — sans devoir tenir la gâchette.

POUR BLOQUER L'INTERRUPTEUR EN MARCHÉ : appuyez sur la gâchette, appuyez sur le bouton et relâchez la gâchette.

POUR DEBLOQUER L'INTERRUPTEUR : appuyez sur la gâchette et relâchez-la sans appuyer sur le bouton de blocage en marche.

⚠ AVERTISSEMENT Si l'utilisateur appuie continuellement sur le bouton de blocage en marche, la gâchette ne peut pas être relâchée.

CADRAN DE RÉGLAGE DE VITESSE DE GÂCHETTE

Cette fonction vous permet d'établir les vitesses désirées en tournant le cadran de la gâchette vers un réglage plus haut ou plus bas. Quelle que soit la pression que vous exercez sur la gâchette, l'outil ne fonctionnera pas plus vite que la vitesse maximale choisie.

Réglage

A-B	Bas taux de courses
C-D	Taux moyen de courses
E	Taux élevé de courses

VITESSE DU PLONGEUR

Le taux de course ou vitesse de coupe nécessaire sur la scie à découper dépend du matériau coupé, du type de lame employé, et du taux d'alimentation que préfère l'opérateur. La vitesse convenant le mieux à une application particulière est essentiellement dictée par l'expérience bien qu'en règle générale, les vitesses plus basses soient destinées aux matériaux plus denses et les vitesses plus rapides aux matériaux mous. Il convient de remarquer que, lorsque la scie à découper est utilisée à bas régime pendant un certain temps, la température du moteur augmente en raison de la vitesse réduite du ventilateur interne. Il faut alors faire fonctionner l'outil à l'occasion à régime maximal pendant quelques minutes pour ne pas compromettre l'efficacité du moteur.

ORBITE DE LA LAME

Une efficacité de coupe maximale peut être obtenue en ajustant le levier sélecteur d'orbite de lame en fonction du matériau coupé. Le tableau suivant vous aidera à établir le réglage à utiliser pour votre application. Ce tableau ne constitue qu'un guide, et il faut d'abord procéder à des coupes d'essai dans un matériau de rebut pour déterminer le meilleur réglage.

Réglage 0 matériaux durs tels que métaux ou tôlesminces ; s'emploie avec lames de couteau, lames à bord abrasif ou travail de râpe.

Réglage I matériaux mous où une coupe plus nette ou un travail délicat de découpage est pratiqué.

Réglage II matériaux à densité moyenne tels que bois plus durs ou panneau de particules

Réglage III matériaux mous tels que bois, plastiques, etc.

Les types de lame suivants ne peuvent être utilisés qu'avec l'orbite réglée à 0 :

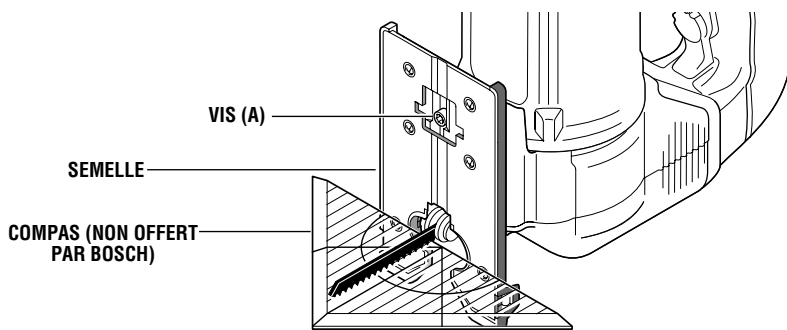
1. Lames à dents inclinées vers le bas (lames à dents inversées);
2. Lames à dents droites au lieu d'être inclinées vers le haut ou le bas;
3. Lames à dents carbures (ou à dents traitées);
4. Lames à bord granuleux.

RÉGLAGE DE L'ANGLE DE LA SEMELLE

La semelle peut être inclinée de manière à permettre des coupes à angle allant jusqu'à 45° dans l'une ou l'autre direction. Pour ajuster la semelle, desserrez la vis (A) à l'aide de la clé Allen, faites glisser la semelle vers l'avant de l'outil, et tournez à l'angle désiré, comme marqué sur l'échelle d'angle. Les fentes d'arrêt tiendront la semelle fermement à un angle de 0°, et il y a d'autres marques de position pour les angles de 15

et de 45 degrés. Des angles intermédiaires peuvent être définis à l'aide du compas. Après avoir positionné la semelle, serrez la vis (A) à bloc.

Sur le modèle 1587DVS, la vis (A) est couverte par un couvercle coulissant qui doit être fermé après avoir effectué le réglage de la semelle. Il convient de remarquer que, lorsque la semelle est utilisée à angle, le couvercle anti-poussières doit être retiré et l'efficacité de collecte de copeaux sera réduite.

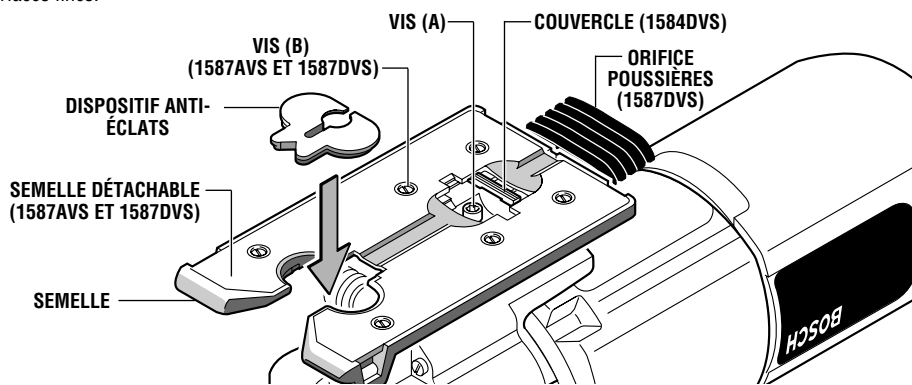


SEMELLES DÉTACHABLES (1587AVS ET 1587DVS)

Les modèles 1587AVS et 1587DVS acceptent deux inserts de semelle qui peuvent être changés en retirant les six vis (B). La semelle détachable en acier sert à la plupart des opérations générales de coupe, et la semelle détachable en plastique lisse peut être utilisée afin de réduire au minimum les rayures sur les surfaces fines.

DISPOSITIF ANTI-ÉCLATS

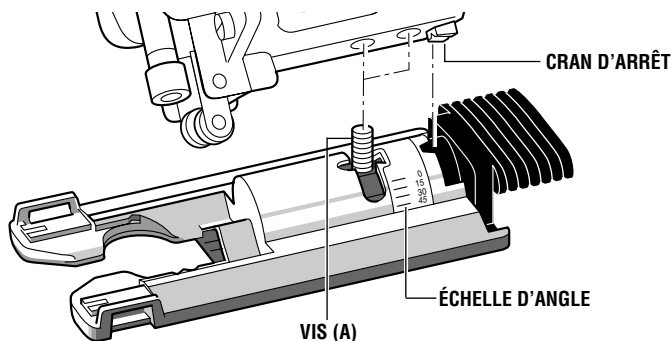
Pour réduire les éclats au minimum sur la surface supérieure du matériau coupé, insérez le dispositif anti-éclats dans l'ouverture de lame sur la semelle. Remarque : ce dispositif ne peut être utilisé qu'avec les lames présentant des côtés meulés telles que T301CD, T101B, T101D et T101DP.



COUPE À RAS




Pour permettre à la scie de pratiquer une coupe perpendiculaire à proximité d'une surface verticale, la semelle peut être repositionnée de la manière suivante. Retirez la vis (A), déplacez la semelle à la fente de montage avant, et assurez-vous que le cran d'arrêt est aligné sur la fente d'arrêt de la semelle. Réinsérez la vis

(A) dans le trou fileté le plus rapproché du cran d'arrêt et serrez à bloc. Il convient de noter que, lorsque la semelle est rétractée de cette manière, seules des coupes de 90° peuvent être pratiquées ; le couvercle anti-poussières et le guide de coupe facultatif ne peuvent pas être utilisés.



SOUFFLE-COPEAUX

La scie à découper est pourvue d'un souffleur-copeaux à trois positions pour mieux garder la ligne de coupe exempte de copeaux. En réglant le levier du souffleur-copeaux, on peut modifier la force de l'air évacué de la manière suivante :

-  Soufflage le plus fort pour le travail du bois et de matériaux similaires
-  Soufflage moyen
-  Aucun soufflage

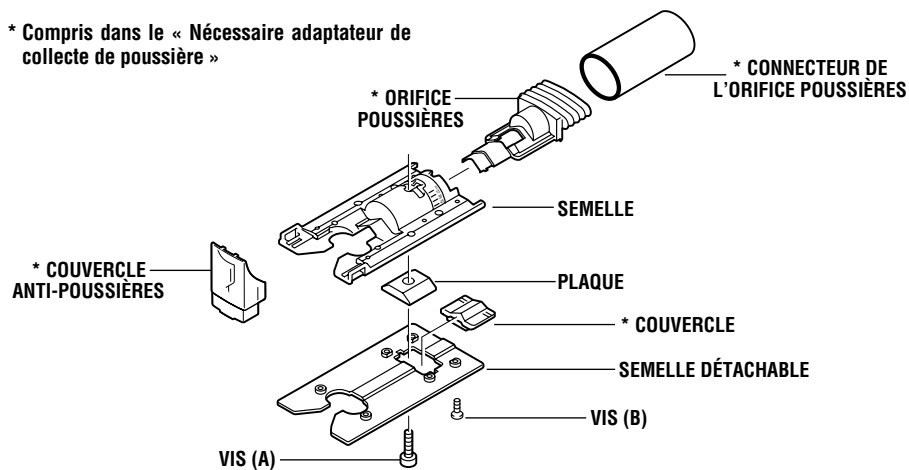
EXTRACTION DE LA POUSSIÈRE (1587AVS ET 1587DVS)

Le modèle 1587DVS est pourvu d'un orifice poussières pour l'extraction des copeaux. Pour utiliser cet élément, fixez le flexible de vide (accessoire facultatif) au connecteur de l'orifice poussières, puis fixez le connecteur de l'orifice poussières. Raccordez l'autre extrémité du flexible à un aspirateur d'atelier avec

adaptateur (accessoires facultatifs). Pour une efficacité maximale, le couvercle anti-poussières doit être en place.

Le modèle 1587AVS peut être converti au fonctionnement sans poussière en ajoutant le « Nécessaire adaptateur de collecte de poussière » qu'on peut se procurer auprès des distributeurs ou des centres de service Bosch.

* Compris dans le « Nécessaire adaptateur de collecte de poussière »



Conseils pratiques

Assurez-vous toujours que les petites pièces de travail sont fixées solidement à un établi ou autre support. Les grands panneaux peuvent être tenus en place à l'aide de serres sur un établi ou un chevalet de scieur.

Pour commencer une coupe, marquez clairement la ligne de coupe et reposez l'avant de la semelle sur le matériau. Mettez l'interrupteur en position de marche, et déplacez la lame dans le matériau en utilisant tout juste assez de pression avant pour maintenir une coupe régulière. **NE FORCEZ PAS** : la scie ne coupera pas plus rapidement pour autant ; laissez la lame faire le travail.

Lors de la coupe de métaux, il est souvent préférable d'utiliser un lubrifiant pour refroidir la lame et en prolonger la durée.

Choisissez les lames soigneusement, car la capacité de la scie de suivre les courbes, d'assurer des finis plus lisses ou de couper plus rapidement est directement liée au type de lame employé.

CHOIX DE LA LAME

- Choisissez les lames avec soin : l'aptitude de la scie sauteuse à scier rapidement, à suivre des fortes courbes, à obtenir des finis réguliers ou à maximiser la durée de vie de la lame dépend directement du type de lame utilisé.
- Utilisez toujours une lame adaptée à la tâche à effectuer.
- Faites toujours une coupe d'essai sur une chute.

- La plupart des lames de scie sauteuse ont les dents inclinées vers le haut, ce qui tend à plaquer la scie sauteuse contre la pièce et à minimiser les vibrations. Les lames avec des dents inclinées vers le haut produisent une coupe propre sur le dessous de la pièce.

- Les lames à dents inclinées vers le bas (lames à dents inversées) peuvent être utilisées pour produire une coupe propre sur le dessus de la pièce (la face qui est en contact avec la semelle de la scie sauteuse), comme par exemple pour scier sur le dessus d'un plan de travail déjà installé. Lorsqu'on utilise des lames à dents inversées, il faut exercer une pression vers le bas sur la scie sauteuse.

- Les lames à dents droites (au lieu d'être inclinées vers le haut ou le bas) permettent de scier sans éclater sur les deux faces de la pièce. Lorsqu'on utilise de telles lames, il faut exercer une pression vers le bas sur la scie sauteuse.

- Les types de lame suivants ne peuvent être utilisés qu'avec l'orbite réglée à 0 :

1. Lames à dents inclinées vers le bas (lames à dents inversées);
2. Lames à dents droites au lieu d'être inclinées vers le haut ou le bas;
3. Lames à dents carbures (ou à dents traitées);
4. Lames à bord granuleux.

Entretien

Service

AVERTISSEMENT Tout entretien préventif effectué par des personnels non autorisés peut résulter en mauvais placement de fils internes ou de pièces, ce qui peut présenter un danger grave. Nous vous conseillons de faire faire tout l'entretien par un centre de service d'usine Bosch ou une station service agréée Bosch.

LUBRIFICATION DE L'OUTIL

Votre outil Bosch a été lubrifié correctement en usine et il est prêt à l'utilisation. Nous vous conseillons de re-graisser les outils qui comportent des engrenages avec un lubrifiant à engrenages spécial à chaque fois que vous changez les balais.

BALAIS OU CHARBONS

Les balais (ou charbons) et le collecteur de votre outil ont été conçus pour apporter de nombreuses heures de fonctionnement fiable. Pour maintenir le rendement du moteur à son maximum, nous vous conseillons de contrôler les balais tous les deux à six mois. Il ne faut utiliser que des balais de rechange Bosch d'origine et conçus pour votre outil.

PALIER

Après environ 300 à 400 heures de fonctionnement ou tous les deux changements de balais, il est conseillé de faire remplacer les paliers par un centre de service d'usine Bosch ou une station service agréée Bosch. Si les paliers commencent à faire du bruit (à cause de surcharges importantes ou du toupillage de matériaux très abrasifs) il faut les faire remplacer immédiatement pour éviter la surchauffe ou une panne de moteur.

Nettoyage

⚠ AVERTISSEMENT Pour éviter les accidents, il faut toujours débrancher l'outil avant de le nettoyer ou de l'entretenir. Le meilleur moyen de nettoyer l'outil est d'utiliser de l'air comprimé sec. Il faut toujours porter des lunettes de protection quand on utilise de l'air comprimé.

Les ouïes de ventilation et les leviers de l'interrupteur doivent rester propres et exempts de corps étrangers.

Ne tentez pas de les nettoyer en enfonçant des objets pointus dans les orifices.

⚠ MISE EN GARDE Certains agents de nettoyages et certains dissolvants abîment les pièces en plastique. Parmi ceux-ci se trouvent: l'essence, le tétrachlorure de carbone, les dissolvants de nettoyage chlorés, l'ammoniaque ainsi que les détergents domestiques qui en contiennent.

Accessoires

⚠ AVERTISSEMENT Si un cordon de rallonge s'avère nécessaire, vous devez utiliser un cordon avec conducteurs de dimension adéquate pouvant porter le courant nécessaire à votre outil. Ceci préviendra une chute excessive de tension, une perte de courant ou une surchauffe. Les outils mis à la terre doivent utiliser des cordons de rallonge trifilaires pourvus de fiches à trois broches ainsi que des prises à trois broches.

REMARQUE : Plus le calibre est petit, plus le fil est gros.

DIMENSIONS DE RALLONGES RECOMMANDÉES OUTILS 120 VOLTS COURANT ALTERNATIF

Intensité nominale de l'outil	Longueur en pieds				Longueur en mètres			
	Calibre A.W.G.				Calibre en mm ²			
	25	50	100	150	15	30	60	120
3-6	18	16	16	14	0,75	0,75	1,5	2,5
6-8	18	16	14	12	0,75	1,0	2,5	4,0
8-10	18	16	14	12	0,75	1,0	2,5	4,0
10-12	16	16	14	12	1,0	2,5	4,0	—
12-16	14	12	—	—	—	—	—	—

- ** Flexible de vide
- ** Adaptateur flexible/vide
- ** Dispositif anti-éclats (5 pièces)
- ** Guide de coupe
- * Clé Allen 5 mm
- * Semelle en acier détachable (1587AVS et 1587DVS)
- * Semelle en plastique détachable (1587AVSK et 1587DVS)
- * Étui (1587AVSK)

(* = équipement standard)

(** = accessoire en option)

Normas de seguridad para herramientas mecánicas

⚠ ADVERTENCIA Lea y entienda todas las instrucciones. El incumplimiento de todas las instrucciones indicadas a continuación puede dar lugar a sacudidas eléctricas, incendios y/o lesiones personales graves.

CONSERVE ESTAS INSTRUCCIONES

Área de trabajo

Mantenga el área de trabajo limpia y bien iluminada. Las mesas desordenadas y las áreas oscuras invitan a que se produzcan accidentes.

No utilice herramientas mecánicas en atmósferas explosivas, tales como las existentes en presencia de líquidos, gases o polvos inflamables. Las herramientas mecánicas generan chispas y éstas pueden dar lugar a la ignición del polvo o los vapores.

Mantenga a las personas que se encuentren presentes, a los niños y a los visitantes alejados al utilizar una herramienta mecánica. Las distracciones pueden hacer que usted pierda el control.

Seguridad eléctrica

Las herramientas con aislamiento doble están equipadas con un enchufe polarizado (un terminal es más ancho que el otro). Este enchufe entrará en un tomacorriente polarizado solamente de una manera. Si el enchufe no entra por completo en el tomacorriente, déle la vuelta. Si sigue sin entrar, póngase en contacto con un electricista competente para instalar un tomacorriente polarizado. No haga ningún tipo de cambio en el enchufe. El aislamiento doble elimina la necesidad del sistema de cordón de energía de tres hilos conectado a tierra y la fuente de energía conectada a tierra. *Antes de enchufar la herramienta, asegúrese de que la tensión del tomacorriente suministrada se encuentre dentro del margen de la tensión especificada en la placa del fabricante. No utilice herramientas con capacidad nominal "AC solamente" ("AC only") con una fuente de energía DC.*

Evite el contacto del cuerpo con las superficies conectadas a tierra tales como tuberías, radiadores, estufas de cocina y refrigeradores. Hay mayor riesgo de que se produzcan sacudidas eléctricas si su cuerpo está conectado a tierra. *Si la utilización de la herramienta mecánica en lugares húmedos es inevitable, se debe usar un interruptor de circuito para fallos a tierra para suministrar la energía a la herramienta. Los guantes de goma para electricista y el calzado antideslizante aumentarán más la seguridad personal.*

No exponga las herramientas mecánicas a la lluvia ni a situaciones húmedas. La entrada de agua en una herramienta mecánica aumentará el riesgo de que se produzcan sacudidas eléctricas.

No abuse del cordón. Nunca use el cordón para llevar las herramientas ni para sacar el enchufe de un tomacorriente. Mantenga el cordón alejado del calor, el

aceite, los bordes afilados o las piezas móviles. Cambie los cordones dañados inmediatamente. Los cordones dañados aumentan el riesgo de que se produzcan sacudidas eléctricas.

Al utilizar una herramienta mecánica a la intemperie, utilice un cordón de extensión para intemperie marcado "W-A" o "W". Estos cordones tienen capacidad nominal para uso a la intemperie y reducen el riesgo de que se produzcan sacudidas eléctricas. Consulte "Tamaños recomendados de los cordones de extensión" en la sección Accesorios de este manual.

Seguridad personal

Manténgase alerta, fíjese en lo que está haciendo y use el sentido común cuando utilice una herramienta mecánica. No use la herramienta cuando esté cansado o se encuentre bajo la influencia de drogas, alcohol o medicamentos. Un momento de distracción al utilizar herramientas mecánicas puede dar lugar a lesiones personales graves.

Vístase adecuadamente. No se ponga ropa holgada ni joyas. Sujétese el pelo. Mantenga el pelo, la ropa y los guantes alejados de las piezas móviles. La ropa holgada, las joyas o el pelo largo pueden quedar atrapados en las piezas móviles. Mantenga los mangos secos, limpios y libres de aceite y grasa.

Evite el arranque accidental. Asegúrese de que el interruptor esté en la posición "OFF" (apagado) antes de enchufar la herramienta. El llevar las herramientas con el dedo en el interruptor o el enchufar herramientas que tengan el interruptor en la posición "ON" (encendido) invita a que se produzcan accidentes.

Quite las llaves de ajuste o de tuerca antes de encender la herramienta. Una llave de ajuste o de tuerca que se deje puesta en una pieza giratoria de la herramienta puede ocasionar lesiones personales.

No intente alcanzar demasiado lejos. Mantenga un apoyo de los pies y un equilibrio adecuados en todo momento. El apoyo de los pies y el equilibrio adecuados permiten un mejor control de la herramienta en situaciones inesperadas.

Utilice equipo de seguridad. Use siempre protección de los ojos. Se debe utilizar una máscara antipolvo, zapatos de seguridad antideslizantes, casco o protección de los oídos según lo requieran las condiciones.

Utilización y cuidado de las herramientas

Utilice abrazaderas u otro modo práctico de fijar y soportar la pieza de trabajo a una plataforma estable.

La sujeción de la pieza de trabajo con la mano o contra el cuerpo resulta inestable y puede ocasionar pérdida de control.

No fuerce la herramienta. Use la herramienta correcta para la aplicación que desea. La herramienta correcta hará el trabajo mejor y con más seguridad a la capacidad nominal para la que está diseñada.

No utilice la herramienta si el interruptor no la enciende o apaga. Toda herramienta que no se pueda controlar con el interruptor es peligrosa y debe ser reparada.

Desconecte el enchufe de la fuente de energía antes de hacer cualquier ajuste, cambiar accesorios o guardar la herramienta. Estas medidas de seguridad preventivas reducen el riesgo de arrancar la herramienta accidentalmente.

Guarde las herramientas que no esté usando fuera del alcance de los niños y otras personas no capacitadas. Las herramientas son peligrosas en las manos de los usuarios no capacitados.

Mantenga las herramientas con cuidado. Conserve las herramientas de corte afiladas y limpias. Las herramientas mantenidas adecuadamente, con bordes de corte afilados, tienen menos probabilidades de atascarse y son más fáciles de controlar. Toda alteración o modificación constituye un uso incorrecto y puede tener como resultado una situación peligrosa.

Compruebe la desalineación o el atasco de las piezas móviles, la ruptura de piezas y cualquier otra situación que pueda afectar el funcionamiento de las

herramientas. Si la herramienta está dañada, haga que realicen un servicio de ajustes y reparaciones a la herramienta antes de usarla. Muchos accidentes son causados por herramientas mantenidas deficientemente. Establezca un programa de mantenimiento periódico para la herramienta.

Utilice únicamente accesorios que estén recomendados por el fabricante de su modelo. Los accesorios que pueden ser adecuados para una herramienta pueden volverse peligrosos cuando se utilizan en otra herramienta.

Servicio

El servicio de ajustes y reparaciones de una herramienta debe ser realizado únicamente por personal de reparaciones competente. El servicio o mantenimiento realizado por personal no competente podría ocasionar un peligro de que se produzcan lesiones. Por ejemplo: Los cables internos pueden colocarse mal o pellizcarse, los resortes de retorno de los protectores de seguridad pueden montarse inadecuadamente.

Al realizar servicio de ajustes y reparaciones de una herramienta, utilice únicamente piezas de repuesto idénticas. Siga las instrucciones que aparecen en la sección Mantenimiento de este manual. El uso de piezas no autorizadas o el incumplimiento de las instrucciones de Mantenimiento puede ocasionar un peligro de que se produzcan sacudidas eléctricas o lesiones. Ciertos agentes de limpieza, tales como gasolina, tetracloruro de carbono, amoníaco, etc., pueden dañar las piezas de plástico.

Normas de seguridad para sierras de vaivén

Sujete la herramienta por las superficies de agarre aisladas cuando realice una operación en la que la herramienta de corte pueda entrar en contacto con cables ocultos o con su propio cordón. El contacto con un cable que tenga corriente hará que ésta pase a las partes metálicas descubiertas de la herramienta y que el operador reciba sacudidas eléctricas. *No taladre, rompa, ni haga trabajo de sujeción en paredes existentes ni en otras áreas ciegas donde pueda haber cables eléctricos. Si esta situación es inevitable, desconecte todos los fusibles o cortacircuitos que alimentan este sitio de trabajo.*

Nunca deje el gatillo fijo en la posición "ON" (encendido). Antes de enchufar la herramienta, compruebe que el cierre del gatillo esté en la posición "OFF" (apagado). Un arranque accidental podría causar lesiones.

Sepa la ubicación y la posición del botón de "Fijación en ON" del interruptor. Si el interruptor está fijo en la posición "ON" durante el uso, esté preparado para en situaciones de emergencia ponerlo

en "OFF", tirando primero del gatillo y soltándolo inmediatamente después sin oprimir el botón de "Fijación en ON".

Mantenga las manos alejadas del área de corte. No ponga la mano debajo del material que se está cortando. La proximidad de la hoja a la mano queda oculta a la vista.

Mantenga las manos alejadas del espacio entre la caja de engranajes y el soporte de la hoja de sierra. El soporte de la hoja de vaivén puede pellizcarle los dedos.

No utilice hojas desfiladas ni dañadas. Una hoja doblada puede romperse fácilmente o causar retroceso.

Antes de comenzar el corte, encienda la herramienta y deje que la hoja alcance toda su velocidad. La herramienta puede chirriar o vibrar si la velocidad de la hoja es demasiado lenta al comienzo del corte y posiblemente puede experimentar retroceso.

Use siempre gafas de seguridad o protección de los ojos cuando utilice esta herramienta. Use una máscara antipolvo o un respirador para aplicaciones que generan polvo.

Fije el material antes de cortar. Nunca lo tenga en la mano ni sobre las piernas. El material pequeño o delgado puede curvarse o vibrar con la hoja, causando pérdida de control.

Asegúrese de que todos los tornillos de ajuste y el soporte de la hoja estén apretados antes de hacer un corte. Si los tornillos de ajuste y los soportes están flojos, pueden hacer que la herramienta o la hoja resbale, pudiendo producirse pérdida de control.

Al quitar la hoja de la herramienta, evite el contacto con la piel y use guantes protectores adecuados al agarrar la hoja o el accesorio. Los accesorios pueden estar calientes después del uso prolongado.

Si su herramienta está equipada con una bolsa para polvo, vacíela con frecuencia y después de terminar de aserrar. Al cabo del tiempo se puede producir una combustión espontánea de la mezcla de aceite o agua con las partículas de polvo. Sea extremadamente

cuidadoso al tirar el polvo, los materiales en forma de partículas finas pueden ser explosivos. No tire el contenido a un fuego abierto.

⚠ ADVERTENCIA Cierta polvo generado por el lijado, aserrado, amolado y taladrado mecánicos, y por otras actividades de construcción, contiene agentes químicos que se sabe que causan cáncer, defectos de nacimiento u otros daños sobre la reproducción. Algunos ejemplos de estos agentes químicos son:

- Plomo de pinturas a base de plomo,
- Sílice cristalina de ladrillos y cemento y otros productos de mampostería, y
- Arsénico y cromo de madera tratada químicamente.

Su riesgo por causa de estas exposiciones varía, dependiendo de con cuánta frecuencia realice este tipo de trabajo. Para reducir su exposición a estos agentes químicos: trabaje en un área bien ventilada y trabaje con equipo de seguridad aprobado, como por ejemplo máscaras antipolvo que estén diseñadas especialmente para impedir mediante filtración el paso de partículas microscópicas.

Símbolos

IMPORTANTE: Es posible que algunos de los símbolos siguientes se usen en su herramienta. Por favor, estúdielos y aprenda su significado. La interpretación adecuada de estos símbolos le permitirá utilizar la herramienta mejor y con más seguridad.

Símbolo	Nombre	Designación/explicación
V	Volt	Tensión (potencial)
A	Ampere	Corriente
Hz	Hertz	Frecuencia (ciclos por segundo)
W	Watt	Potencia
kg	Kilogramo	Peso
min	Minuto	Tiempo
s	Segundo	Tiempo
∅	Diámetro	Tamaño de las brocas taladradoras, muelas, etc
n_0	Velocidad sin carga	Velocidad rotacional sin carga
.../min	Revoluciones o alternación por minuto	Revoluciones, golpes, velocidad de superficie, órbitas, etc., por minuto
0	Posición "off" (apagado)	Velocidad cero, par motor cero...
1, 2, 3, ... I, II, III,	Graduaciones del selector	Graduaciones de velocidad, par motor o posición. Un número más alto significa mayor velocidad
	Selector infinitamente variable con apagado	La velocidad aumenta desde la graduación de 0
	Flecha	Acción en la dirección de la flecha
	Corriente alterna	Tipo o una característica de corriente
	Corriente continua	Tipo o una característica de corriente
	Corriente alterna o continua	Tipo o una característica de corriente
	Construcción de clase II	Designa las herramientas de construcción con aislamiento doble.
	Terminal de toma de tierra	Terminal de conexión a tierra
	Símbolo de advertencia	Alerta al usuario sobre mensajes de advertencia
	Sello RBRC™ de Ni-Cd	Designa el programa de reciclaje de baterías de Ni-Cd



Este símbolo indica que esta herramienta está catalogada por Underwriters Laboratories.



Este símbolo indica que Underwriters Laboratories ha catalogado esta herramienta indicando que cumple las normas canadienses.



Este símbolo indica que esta herramienta cumple con la norma mexicana oficial (NOM).



Este símbolo indica que esta herramienta está catalogada por la Canadian Standards Association.

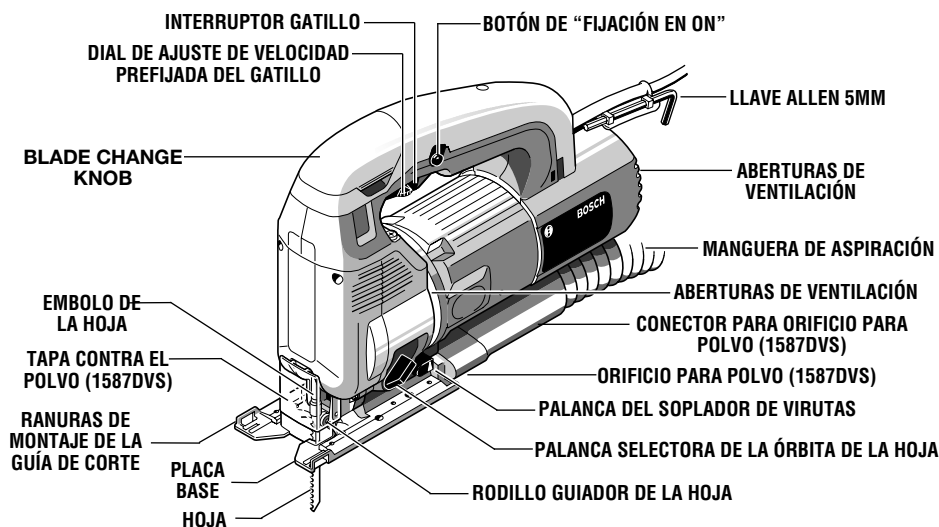
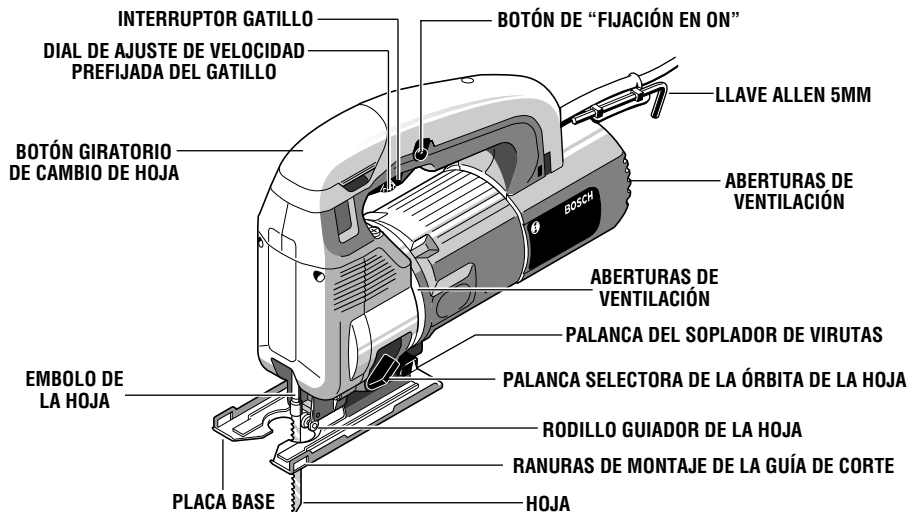


Este símbolo indica que esta herramienta está catalogada por Underwriters Laboratories y que Underwriters Laboratories la ha catalogado según las normas canadienses.

Descripción funcional y especificaciones

⚠ ADVERTENCIA Desconecte el enchufe de la fuente de energía antes de realizar cualquier ensamblaje o ajuste, o cambiar accesorios. Estas medidas de seguridad preventivas reducen el riesgo de arrancar la herramienta accidentalmente.

Sierras de vaivén



Capacidades máximas:

Material
Madera
Plástico
Aluminio
Metal no ferroso

Tamaño
60mm (2-3/8")
32mm (1-1/4")
20mm (3/4")
20mm (3/4")

Material
Acero suave
Acero inoxidable
Acero de aleación

Tamaño
10mm (3/8")
3mm (1/8")
3mm (1/8")

Ensamblaje

INSTALACIÓN DE LA HOJA

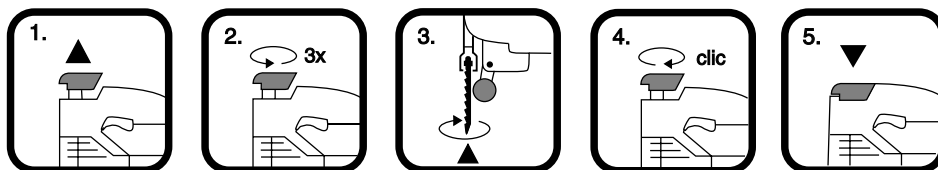
Coloque la palanca selectora de la órbita de la hoja en la posición III.

Tire del botón giratorio de cambio de hoja hacia arriba hasta donde se pueda y gírelo tres vueltas en sentido contrario al de las agujas del reloj (visto desde la parte superior de la herramienta).

Introduzca la hoja en el émbolo de la hoja a un ángulo de 90° respecto al sentido de corte. Con una ligera presión hacia arriba, gire los dientes de la hoja hacia adelante (sentido de corte) y guíe la parte posterior de la hoja al interior de la ranura que está en el centro del rodillo guía de la hoja. Tire de la hoja hacia abajo suavemente para colocar las lengüetas de la hoja en el émbolo.

Con la hoja en la posición adecuada, gire el botón en el sentido de las agujas del reloj hasta que se oiga un sonido de "Clic" notable, indicando que la hoja está fija en su sitio. Oprima el botón para que se desacople y continúe girando dicho botón hasta que se encuentre alineado con la curvatura del mango y se pueda oprimir de vuelta a su posición normal. Ejerza presión hacia abajo sobre el botón hasta que éste se encuentre al ras con el mango y la sierra de vaivén queda lista para la utilización.

Quitar la hoja consiste esencialmente en el proceso de instalación a la inversa. Sin embargo, fíjese que una vez que se afloja el botón de cambio de hoja, se ha de empujar suavemente la hoja hacia arriba para soltar del émbolo las lengüetas de la hoja.



Instrucciones de funcionamiento

INTERRUPTOR GATILLO DE VELOCIDAD VARIABLE CONTROLADA

La herramienta se controla con un interruptor gatillo de velocidad variable. El herramienta se puede encender (posición "ON") o apagar (posición "OFF") apretando o soltando el gatillo. La velocidad se puede ajustar desde las RPM mínimas hasta las RPM máximas indicadas en la placa del fabricante por medio de la presión que usted ejerce sobre el gatillo. Ejerza más presión para aumentar la velocidad y disminuya la presión para reducir la velocidad.

BOTON DE "FIJACION EN ON"

La herramienta también esta equipada con un botón de "Fijación en ON" ubicado en el lado izquierdo del mango gatillo, el cual permite un funcionamiento continuo a RPM máximas sin tener que mantener apretado el gatillo.

PARA FIJAR EL INTERRUPTOR EN LA POSICION ON: apriete el gatillo, oprima el botón y suelte el gatillo.

PARA DESBLOQUEAR EL INTERRUPTOR: apriete el gatillo y suéltelo sin oprimir el botón de "Fijación en ON".

ADVERTENCIA Si se oprime continuamente el botón de "Fijación en ON", no se puede soltar el gatillo.

DIAL DE AJUSTE DE VELOCIDAD PREFIJADA DEL GATILLO

Este dispositivo le permite a usted preajustar el gatillo a las velocidades deseadas girando el dial que está sobre el gatillo hasta una posición más alta o más baja. No importa cual sea la presión ejercida sobre el gatillo, la herramienta no funcionará más deprisa que la posición de velocidad máxima seleccionada.

Posición

A-B	Golpe lento
C-D	Golpe mediano
E	Golpe rápido

VELOCIDAD DEL ÉMBOLO

La velocidad de corte de la sierra de vaivén o velocidad de golpeo requerida depende del material que se está cortando, del tipo de hoja utilizada y de la velocidad de alimentación preferida por el operador. La mejor velocidad para una aplicación específica está determinada en gran parte por la experiencia, aunque como regla general, las velocidades más lentas son para materiales más densos y las velocidades más rápidas para materiales blandos. Tenga en cuenta que cuando la sierra de vaivén se utilice a baja velocidad durante cualquier período de tiempo, la temperatura del motor subirá debido a una velocidad más lenta del ventilador de refrigeración interno. En tales casos, de vez en cuando es necesario hacer funcionar la herramienta a toda velocidad durante unos minutos para mantener el motor funcionando con alto rendimiento.

ORBITA DE LA HOJA

La máxima eficiencia de corte se puede obtener ajustando la palanca selectora de la órbita de la hoja para adaptarse al material que se está cortando. El cuadro siguiente le ayudará a determinar qué posición utilizar para su aplicación. Este cuadro se destina para servir de guía únicamente y primero se deben realizar cortes de prueba en material de desecho para determinar la mejor posición.

Posición 0 materiales duros tales como metales o láminas metálicas delgadas y utilizada con hojas de cuchillo, hojas con filo de grano abrasivo o trabajo de raspado.

Posición I materiales blandos donde se realiza un corte más nítido o un trabajo de desplazamiento continuo delicado.

Posición II materiales de densidad media tales como maderas más duras o tableros hechos de partículas de madera.

Posición III materiales blandos tales como madera, plásticos, etc.

Los siguientes tipos de hojas deben utilizarse solamente con la posición orbital O:

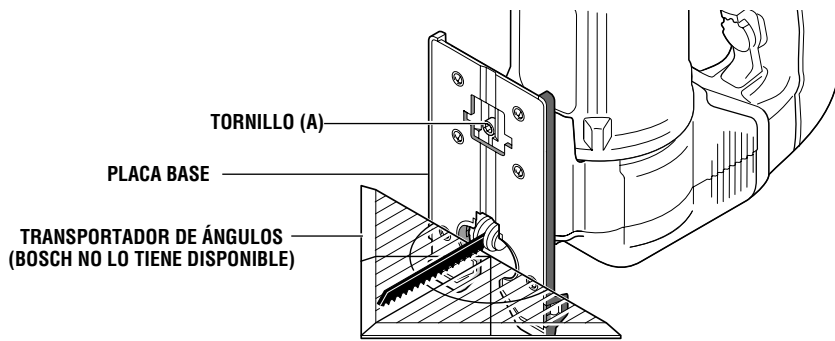
1. Hojas con dientes que estén orientados hacia abajo (hojas con dientes invertidos).
2. Hojas con dientes que estén orientados directamente hacia afuera en lugar de hacia arriba o hacia abajo.
3. Hojas con puntas de carburo.
4. Hojas con filo con partículas abrasivas.

AJUSTE DEL ÁNGULO DE LA PLACA BASE

La placa base se puede inclinar para permitir cortes en ángulo de hasta 45° en cualquiera de las dos direcciones. Para ajustar la placa base, afloje el tornillo (A) con la llave Allen, deslice la placa base hacia la parte delantera de la herramienta y gire hasta el ángulo deseado según está marcado en la escala de ángulos. Las ranuras de retén sujetarán la placa base firmemente a 0° y hay marcas de posición adicionales para ángulos

de 15° y 45°. Los ángulos intermedios se pueden fijar con un transportador de ángulos. Después de colocar la placa base, apriete firmemente el tornillo (A).

En el modelo 1587DVS el tornillo (A) está cubierto por la tapa corrediza, la cual se debe cerrar después de realizar el ajuste de la placa base. Observe que cuando la placa base se utiliza en ángulo hay que quitar la tapa contra el polvo y se reducirá la eficacia de la recolección de virutas.

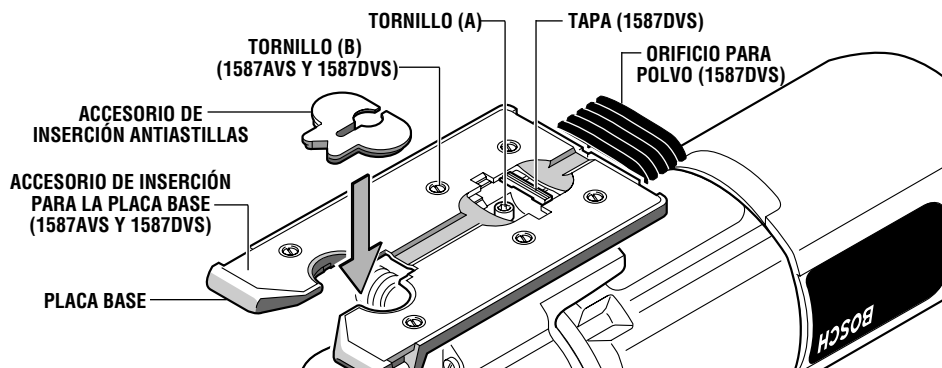


ACCESORIOS DE INSERCIÓN PARA LA PLACA BASE (1587AVS Y 1587DVS)

Los modelos 1587AVS y 1587DVS aceptan dos accesorios de inserción de la placa-base que pueden cambiarse quitando los seis tornillos (B). El accesorio de inserción de acero se utiliza para la mayoría de las operaciones generales de corte y el accesorio de inserción de plástico liso se podrá utilizar para minimizar los arañazos en superficies finas.

ACCESORIO DE INSERCIÓN ANTIASILLAS

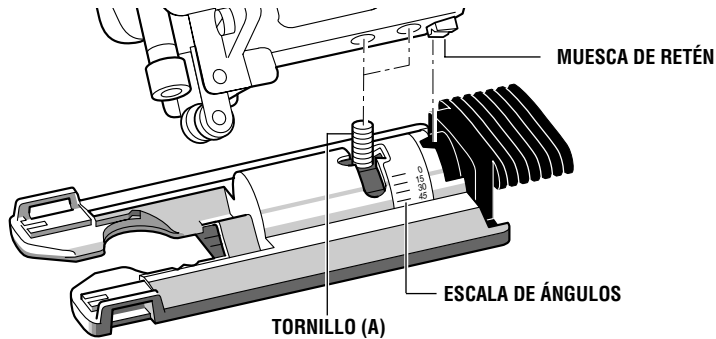
Para minimizar el astillado de la superficie superior del material que se está cortando, coloque el accesorio de inserción antiastillas en la apertura para la hoja de la placa base. Nota: Este accesorio de inserción funcionará únicamente con hojas que tienen lados amolados tales como T301CD, T101B, T101D y T101DP.



CORTE AL RAS




Para permitir que la sierra realice un corte perpendicular cerca de una superficie vertical, la placa base se puede cambiar de posición como sigue. Saque el tornillo (A), desplace la placa base hasta la ranura de montaje delantera y asegúrese de que la muesca de retén se encuentra alineada con la ranura de retén de la placa

base. Vuelva a introducir el tornillo (A) en el agujero roscado más próximo a la muesca de retén y apriételo firmemente. Observe que cuando se retrae la placa base de esta manera únicamente se pueden realizar cortes de 90° y no se podrá utilizar la tapa contra polvo ni la guía de corte opcional.



SOPLADOR DE VIRUTAS

La sierra de vaivén está equipada con un soplador de virutas de tres posiciones para ayudar a mantener la línea de corte libre de virutas. Mediante el ajuste de la palanca del soplador de virutas se puede alterar la fuerza del aire descargado como se indica a continuación:

-  Acción de soplado más fuerte para trabajar en maderas y materiales similares.
-  Acción de soplado mediana.
-  Sin acción de soplado.

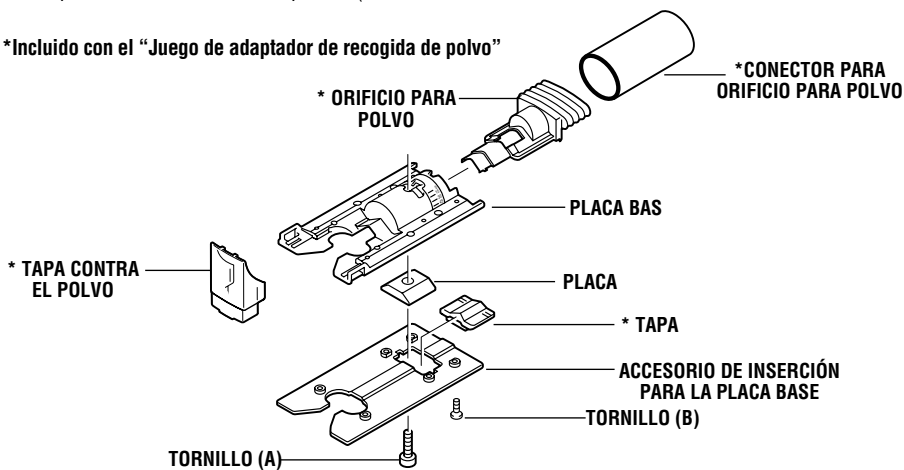
EXTRACCIÓN DE POLVO (1587AVS Y 1587DVS)

El modelo 1587DVS está equipado con un orificio para polvo a fin de extraer virutas. Para utilizar este dispositivo, acople la manguera de aspiración (accesorio opcional) al conector del orificio para polvo y luego acople el conector del orificio para polvo al orificio para polvo. Conecte el otro extremo de la manguera a una aspiradora de taller con adaptador (accesorios

opcionales). Para obtener una eficacia máxima, la tapa contra el polvo debe estar colocada en su sitio.

El modelo 1587AVS puede convertirse a funcionamiento sin desprender polvo añadiendo el "Juego de adaptador de recogida de polvo" que se encuentra disponible a través de los Centros de Servicio o los Distribuidores de Bosch.

*Incluido con el "Juego de adaptador de recogida de polvo"



Consejos para la herramienta

Asegúrese siempre de que las piezas de trabajo más pequeñas están sujetas de manera segura a un banco o a otro apoyo. Los paneles más grandes se pueden sujetar por medio de abrazaderas sobre un banco o unos caballetes de aserrar.

Para comenzar un corte, marque claramente la línea de corte y apoye la parte delantera de la placa base sobre la pieza de trabajo. Accione el interruptor y haga que la hoja penetre en la pieza de trabajo utilizando únicamente suficiente presión hacia adelante para mantener la hoja cortando firmemente. NO FUERCE, ya que esto no hará que la sierra corte más rápido; deje que la hoja haga el trabajo.

Cuando se corta metal, suele ser aconsejable utilizar un lubricante para enfriar la hoja y prolongar la vida de ésta.

Elija las hojas cuidadosamente, ya que la capacidad de la sierra para seguir curvas, proporcionar acabados más lisos o cortar más rápido está directamente relacionada con el tipo de hoja utilizada.

SELECCIÓN DE LAS HOJAS

- Seleccione las hojas cuidadosamente, ya que la capacidad de la sierra caladora para hacer los cortes más rápidos, seguir curvas pronunciadas, lograr el acabado más liso y/o maximizar la duración de la hoja está directamente relacionada con el tipo de hoja que se utilice.
- Utilice siempre la hoja que sea apropiada para la tarea de corte.
- Haga siempre un corte de prueba en un pedazo de material de desecho.

- La mayoría de las hojas de sierra caladora tienen los dientes orientados hacia arriba, lo cual ayuda a tirar de la sierra caladora contra la pieza de trabajo y minimiza la vibración. Las hojas con dientes orientados hacia arriba producen un corte limpio en la parte inferior de la pieza de trabajo.

- Las hojas con dientes orientados hacia abajo (hojas con dientes invertidos) pueden utilizarse para producir un corte limpio en la parte superior de la pieza de trabajo (el lado que está orientado hacia la placa-base de la sierra caladora), como al cortar desde la parte superior un tablero de mostrador ya instalado. Cuando se utilicen hojas con dientes invertidos, debe ejercerse fuerza hacia abajo sobre la sierra caladora.

- Las hojas con dientes que estén orientados directamente hacia afuera (en lugar de hacia arriba o hacia abajo) permiten realizar cortes sin astillas en ambos lados de la pieza de trabajo. Cuando se utilicen dichas hojas, debe ejercerse fuerza hacia abajo sobre la sierra caladora.

- Los siguientes tipos de hojas deben utilizarse solamente con la posición orbital O:

1. Hojas con dientes que estén orientados hacia abajo (hojas con dientes invertidos).
2. Hojas con dientes que estén orientados directamente hacia afuera en lugar de hacia arriba o hacia abajo.
3. Hojas con puntas de carburo.
4. Hojas con filo con partículas abrasivas.

Mantenimiento

Servicio



ADVERTENCIA El mantenimiento preventivo realizado por personal no autorizado puede dar lugar a la colocación incorrecta de cables y componentes internos que podría constituir un peligro serio. Recomendamos que todo el servicio de las herramientas sea realizado por un Centro de servicio de fábrica Bosch o por una Estación de servicio Bosch autorizada.

LUBRICACION DE LAS HERRAMIENTAS

Su herramienta Bosch ha sido lubricada adecuadamente y está lista para la utilización. Se recomienda que las herramientas con engranajes se vuelvan a engrasar con un lubricante especial para engranajes en cada cambio de escobillas.

ESCOBILLAS DE CARBÓN

Las escobillas y el conmutador de la herramienta han sido diseñados para muchas horas de servicio fiable. Para mantener un rendimiento óptimo del motor, recomendamos que cada dos a seis meses se examinen las escobillas. Sólo se deben usar escobillas de repuesto Bosch genuinas diseñadas específicamente para su herramienta.

RODAMIENTOS

Después de 300-400 horas de funcionamiento, o después de cada segundo cambio de escobillas, los rodamientos deben cambiarse en un Centro de servicio de fábrica Bosch o en una Estación de servicio Bosch autorizada. Los rodamientos que se vuelven ruidosos (debido a la pesada carga o al corte

de materiales muy abrasivos) deben ser sustituidos inmediatamente para evitar el sobrecalentamiento o el fallo del motor.

Las aberturas de ventilación y las palancas de interruptor deben mantenerse limpias y libres de materias extrañas. No intente limpiar introduciendo objetos puntiagudos a través de las aberturas.

Limpieza

⚠ ADVERTENCIA Para evitar accidentes desconecte siempre la herramienta de la fuente de energía antes de la limpieza o de la realización de cualquier mantenimiento. La herramienta se puede limpiar más eficazmente con aire comprimido seco. Use gafas de seguridad siempre que limpie herramientas con aire comprimido.

⚠ PRECAUCIÓN Ciertos agentes de limpieza y disolventes dañan las piezas de plástico. Algunos de estos son: gasolina, tetracloruro de carbono, disolventes de limpieza clorados, amoníaco y detergentes domésticos que contienen amoníaco.

Accesorios

⚠ ADVERTENCIA Si es necesario un cordón de extensión, se debe usar un cordón con conductores de tamaño adecuado que sea capaz de transportar la corriente necesaria para la herramienta. Esto evitará caídas de tensión excesivas, pérdida de potencia o recalentamiento. Las herramientas conectadas a tierra deben usar cordones de extensión de 3 hilos que tengan enchufes de 3 terminales y receptáculos para 3 terminales.

NOTA: Cuanto más pequeño es el número de calibre, más grueso es el cordón.

TAMAÑOS RECOMENDADOS DE CORDONES DE EXTENSION HERRAMIENTAS DE 120 V CORRIENTE ALTERNA

Capacidad nominal en amperes de la herramienta	Tamaño del cordón en A.W.G.				Tamaños del cable en mm ²			
	Longitud del cordón en pies				Longitud del cordón en metros			
	25	50	100	150	15	30	60	120
3-6	18	16	16	14	0,75	0,75	1,5	2,5
6-8	18	16	14	12	0,75	1,0	2,5	4,0
8-10	18	16	14	12	0,75	1,0	2,5	4,0
10-12	16	16	14	12	1,0	2,5	4,0	—
12-16	14	12	—	—	—	—	—	—

- ** Manguera de aspiración
- ** Adaptador de manguera/aspiración
- ** Accesorio de inserción antiastillas (5 piezas)
- ** Guía de corte
- * Llave Allen 5mm
- * Accesorio de inserción de acero para la placa base (1587AVS y 1587DVS)
- * Accesorio de inserción de plástico para la placa base (1587AVSK y 1587DVS)
- * Estuche de transporte (1587AVSK)

(* = equipo estándar)

(** = accesorios opcionales)

LIMITED WARRANTY OF BOSCH PORTABLE AND BENCHTOP POWER TOOLS

Robert Bosch Tool Corporation ("Seller") warrants to the original purchaser only, that all BOSCH portable and benchtop power tools will be free from defects in material or workmanship for a period of one year from date of purchase. SELLER'S SOLE OBLIGATION AND YOUR EXCLUSIVE REMEDY under this Limited Warranty and, to the extent permitted by law, any warranty or condition implied by law, shall be the repair or replacement of parts, without charge, which are defective in material or workmanship and which have not been misused, carelessly handled, or misrepaired by persons other than Seller or Authorized Service Station. To make a claim under this Limited Warranty, you must return the complete portable or benchtop power tool product, transportation prepaid, to any BOSCH Factory Service Center or Authorized Service Station. For Authorized BOSCH Power Tool Service Stations, please refer to your phone directory.

THIS LIMITED WARRANTY DOES NOT APPLY TO ACCESSORY ITEMS SUCH AS CIRCULAR SAW BLADES, DRILL BITS, ROUTER BITS, JIGSAW BLADES, SANDING BELTS, GRINDING WHEELS AND OTHER RELATED ITEMS.

ANY IMPLIED WARRANTIES SHALL BE LIMITED IN DURATION TO ONE YEAR FROM DATE OF PURCHASE. SOME STATES IN THE U.S., SOME CANADIAN PROVINCES DO NOT ALLOW LIMITATIONS ON HOW LONG AN IMPLIED WARRANTY LASTS, SO THE ABOVE LIMITATION MAY NOT APPLY TO YOU.

IN NO EVENT SHALL SELLER BE LIABLE FOR ANY INCIDENTAL OR CONSEQUENTIAL DAMAGES (INCLUDING BUT NOT LIMITED TO LIABILITY FOR LOSS OF PROFITS) ARISING FROM THE SALE OR USE OF THIS PRODUCT. SOME STATES IN THE U.S. AND SOME CANADIAN PROVINCES DO NOT ALLOW THE EXCLUSION OR LIMITATION OF INCIDENTAL OR CONSEQUENTIAL DAMAGES, SO THE ABOVE LIMITATION OR EXCLUSION MAY NOT APPLY TO YOU.

THIS LIMITED WARRANTY GIVES YOU SPECIFIC LEGAL RIGHTS, AND YOU MAY ALSO HAVE OTHER RIGHTS WHICH VARY FROM STATE TO STATE IN THE U.S., PROVINCE TO PROVINCE IN CANADA AND FROM COUNTRY TO COUNTRY.

THIS LIMITED WARRANTY APPLIES ONLY TO PORTABLE AND BENCHTOP ELECTRIC TOOLS SOLD WITHIN THE UNITED STATES OF AMERICA, CANADA AND THE COMMONWEALTH OF PUERTO RICO. FOR WARRANTY COVERAGE WITHIN OTHER COUNTRIES, CONTACT YOUR LOCAL BOSCH DEALER OR IMPORTER.

GARANTIE LIMITÉE DES OUTILS ÉLECTRIQUES PORTATIFS ET D'ÉTABLI BOSCH

Robert Bosch Tool Corporation (le « vendeur ») garantit à l'acheteur initial seulement que tous les outils électriques portatifs et d'établi BOSCH seront exempts de vices de matériaux ou d'exécution pendant une période d'un an depuis la date d'achat. LA SEULE OBLIGATION DU VENDEUR ET LE SEUL RECOURS DE L'ACHETEUR sous la présente garantie limitée, et en autant que la loi le permette sous toute garantie ou condition implicite qui en découlerait, sera l'obligation de remplacer ou réparer gratuitement les pièces défectueuses matériellement ou comme fabrication, pourvu que lesdites défectosités ne soient pas attribuables à un usage abusif ou à quelque réparation bricolée par quelqu'un d'autre que le vendeur ou le personnel d'une station-service agréée. Pour présenter une réclamation en vertu de cette garantie limitée, vous devez renvoyer l'outil électrique portatif ou d'établi complet, port payé, à tout centre de service agréé ou centre de service usine. Veuillez consulter votre annuaire téléphonique pour les adresses.

LA PRÉSENTE GARANTIE NE S'APPLIQUE PAS AUX ACCESSOIRES TELS QUE LAMES DE SCIES CIRCULAIRES, MÊCHES DE PERCEUSES, FERS DE TOUPIES, LAMES DE SCIES SAUTEUSES, COURROIES DE PONÇAGE, MEULES ET AUTRES ARTICLES DU GENRE.

TOUTE GARANTIE IMPLICITE SERA LIMITÉE COMME DURÉE À UN AN À COMPTER DE LA DATE D'ACHAT. CERTAINS ÉTATS AMÉRICAINS, CERTAINES PROVINCES CANADIENNES N'ADMETTANT PAS LE PRINCIPE DE LA LIMITATION DE LA DURÉE DES GARANTIES IMPLICITES, IL EST POSSIBLE QUE LES LIMITATIONS CI-DESSUS NE S'APPLIQUENT PAS À VOTRE CAS.

EN AUCUN CAS LE VENDEUR NE SAURAIT ÊTRE TENU POUR RESPONSABLE DES INCIDENTS OU DOMMAGES INDIRECTS (INCLUANT, MAIS NE SE LIMITANT PAS AUX PERTES DE PROFITS) CONSÉCUTIFS À LA VENTE OU L'USAGE DE CE PRODUIT. CERTAINS ÉTATS AMÉRICAINS ET CERTAINES PROVINCES CANADIENNES N'ADMETTANT PAS LE PRINCIPE DE LA LIMITATION NI L'EXCLUSION DES DOMMAGES INDIRECTS ET CONSÉQUENTIELS, IL EST POSSIBLE QUE LES LIMITATIONS OU EXCLUSIONS CI-DESSUS NE S'APPLIQUENT PAS À VOTRE CAS.

LA PRÉSENTE GARANTIE VOUS ACCORDE DES DROITS BIEN DÉTERMINÉS, Y COMPRIS POSSIBLEMENT CERTAINS DROITS VARIABLES DANS LES DIFFÉRENTS ÉTATS AMÉRICAINS, PROVINCES CANADIENNES.

CETTE GARANTIE LIMITÉE NE S'APPLIQUE QU'AUX OUTILS ÉLECTRIQUES PORTATIFS ET D'ÉTABLI VENDUS AUX ÉTATS-UNIS D'AMÉRIQUE, AU CANADA ET AU COMMONWEALTH DE PORTO RICO. POUR COUVERTURE DE GARANTIE DANS LES AUTRES PAYS, CONTACTEZ VOTRE IMPORTATEUR OU REVENDEUR BOSCH LOCAL.

GARANTIA LIMITADA PARA HERRAMIENTAS MECANICAS PORTATILES Y PARA TABLERO DE BANCO BOSCH

Robert Bosch Tool Corporation ("el Vendedor") garantiza, únicamente al comprador original, que todas las herramientas mecánicas portátiles y para tablero de banco BOSCH estarán libres de defectos de material o de fabricación durante un período de un año a partir de la fecha de compra. LA ÚNICA OBLIGACION DEL VENDEDOR Y EL RECURSO EXCLUSIVO QUE USTED TIENE bajo esta Garantía Limitada y, hasta donde la ley lo permita, bajo cualquier garantía o condición implícita por ley, consistirá en la reparación o sustitución sin costo de las piezas que presenten defectos de material o de fabricación y que no hayan sido utilizadas incorrectamente, manejadas descuidadamente o reparadas incorrectamente por personas que no sean el Vendedor o una Estación de servicio autorizada. Para efectuar una reclamación bajo esta Garantía Limitada, usted debe devolver el producto, que consiste en la herramienta mecánica portátil o para tablero de banco completa, con el transporte pagado, a cualquier Centro de servicio de fábrica o Estación de servicio autorizada. Para Estaciones de servicio autorizadas de herramientas mecánicas BOSCH, por favor, consulte el directorio telefónico.

ESTA GARANTIA LIMITADA NO SE APLICA A ARTICULOS ACCESORIOS TALES COMO HOJAS PARA SIERRAS CIRCULARES, BROCAS PARA TALADROS, BROCAS PARA FRESADORAS, HOJAS PARA SIERRAS DE VAIVEN, CORREAS PARA LIJAR, RUEDAS DE AMOLAR Y OTROS ARTICULOS RELACIONADOS.

TODAS LAS GARANTIAS IMPLICITAS TENDRAN UNA DURACION LIMITADA A UN AÑO A PARTIR DE LA FECHA DE COMPRA. ALGUNOS ESTADOS DE LOS EE.UU., ALGUNAS PROVINCIAS CANADIENSES NO PERMITEN LIMITACIONES EN CUANTO A LA DURACION DE UNA GARANTIA IMPLICITA, POR LO QUE ES POSIBLE QUE LA LIMITACION ANTERIOR NO SEA APLICABLE EN EL CASO DE USTED.

EL VENDEDOR NO SERA RESPONSABLE EN NINGUN CASO DE NINGUN DAÑO INCIDENTAL O EMERGENTE (INCLUYENDO PERO NO LIMITADO A RESPONSABILIDAD POR PERDIDA DE BENEFICIOS) QUE SE PRODUZCA COMO CONSECUENCIA DE LA VENTA O UTILIZACION DE ESTE PRODUCTO. ALGUNOS ESTADOS DE LOS EE.UU. Y ALGUNAS PROVINCIAS CANADIENSES NO PERMITEN LA EXCLUSION O LIMITACION DE LOS DAÑOS INCIDENTALES O EMERGENTES, POR LO QUE ES POSIBLE QUE LA LIMITACION O EXCLUSION ANTERIOR NO SEA APLICABLE EN EL CASO DE USTED.

ESTA GARANTIA LIMITADA LE CONFIERE A USTED DERECHOS LEGALES ESPECIFICOS Y ES POSIBLE QUE USTED TAMBIEN TENGA OTROS DERECHOS QUE VARIAN DE ESTADO A ESTADO EN LOS EE.UU., DE PROVINCIA A PROVINCIA EN CANADA.

ESTA GARANTIA LIMITADA SE APLICA SOLAMENTE A HERRAMIENTAS ELECTRICAS PORTATILES Y PARA TABLERO DE BANCO VENDIDAS EN LOS ESTADOS UNIDOS DE AMERICA, CANADA Y EL ESTADO LIBRE ASOCIADO DE PUERTO RICO. PARA COBERTURA DE GARANTIA EN OTROS PAISES, PONGASE EN CONTACTO CON SU DISTRIBUIDOR O IMPORTADOR LOCAL DE BOSCH.

© Robert Bosch Tool Corporation 1800 W. Central Road Mt. Prospect, IL 60056 -2230

Exportado por: Robert Bosch Tool Corporation Mt. Prospect, IL 60056 -2230, E.U.A.

Importado en México por: Robert Bosch, S.A. de C.V., Calle Robert Bosch No. 405, Zona Industrial, Toluca, Edo. de México, C.P. 50070, Tel. (722) 2792300

2610993477 2/04

Printed in China